



weatherstrong[®]
Outdoor Cabinetry

13 Colors - 4 Door Styles



Ships in 7-10 Days
Factory Built to Order

SPECIFICATION GUIDE

TABLE OF CONTENTS

- Weatherstrong Cabinetry3
- The WeatherStrong Difference, Hardware4-5
- Door Styles and Finishes6-7
- Base Cabinets.....8-24
 - Important Grill and Side Burner Information 8
 - Grill Base Cabinets9-10
 - Side Burner Cabinets..... 11
 - Kamado Grill Base Cabinet 12
 - Base Cabinets..... 13-24
- Wall Cabinets25-30
- Utility Cabinets31-32
- Matching End Panels 33
- Parts & Accessories34-36
- Drawer Front and Drawer Box Dimensions 37
- Ensembles38-41
- Hardware 42
- Leg Leveling and Toe Kick Application43-46
- Installation Guides.....47-53
- Care and Use Guide54-56
- Warranty 57



WEATHERSTRONG OUTDOOR CABINETRY



BACKYARD FUN BEGINS WITH A GREAT OUTDOOR KITCHEN

With the desire to spend more quality time outdoors, WeatherStrong Outdoor Cabinetry is designed with your lifestyle in mind. Our cabinets are manufactured in the U.S.A. with a 3/4" All-Weatherboard® composite material to stand up to the harsh elements Mother Nature can send your way. Pounding rain, hot summers, and cold snowy winters are no problem. Your WeatherStrong cabinets are tough enough to take it!

All cabinets are factory built in a variety of sizes and ships in 7 to 10 Days.



WEATHERSTRONG DIFFERENCE

Weatherstrong Outdoor Cabinetry boxes are manufactured in the U.S.A. using a waterproof 3/4" thick All-Weatherboard® composite material. Cabinet doors and drawer fronts are made from High Density Polyethylene (HDPE) in a selection of styles and finishes. Cabinets are factory built to order in a wide variety of sizes and configurations, making Weatherstrong cabinets ideal for outdoor kitchens, wet rooms and garage applications.



1 CABINETS	Cabinet boxes are constructed from a gray, 3/4" thick All-Weatherboard® composite material. Exposed sides and backs require matching cover panels.
2 HINGES	Soft close 6-way adjustable 316 stainless steel hinges
3 BACK WALL PANELS	Wall cabinets are available with a 3/4" thick Full Height Back
4 ADJUSTABLE SHELVES	3/4" thick All-Weatherboard® composite material. Full depth adjustable shelves in Wall & Base cabinets
5 BACK BASE PANELS	Base cabinets are available with a 3/4" thick Full Back
6 DRAWER GLIDES	Soft close, side mounted, ball bearing 304 stainless steel drawer runners
7 ADJUSTABLE LEGS	Base cabinets are shipped fully assembled, ready to be installed on 'Sure Level' adjustable polymer legs (included). Each leg rated for 330lb static load. Snap on matching toe kick is optional for on-site modification and installation. Decorative 316 stainless steel legs also available as an accessory.
8 DRAWER BOX	3/4" thick All-Weatherboard® composite material construction: four sides and bottom panel. 6" high top drawer front with 3" high drawer box. 11-3/4" high Deep Drawer front with 7" high drawer box.

HARDWARE



Soft Close, 6-way adjustable 316 Stainless Steel Hinges



Soft Close, Side Mount Ball Bearing 304 Stainless Steel Runners



Sure Level Adjustable Polymer Legs



Optional 316 Stainless Steel Adjustable Legs

THE WEATHERSTRONG DIFFERENCE

WHAT IS ALL-WEATHERBOARD® COMPOSITE MATERIAL? All-Weatherboard® composite material is a strong moisture, rot and termite resistant composite material, designed for outdoor applications. Phenolic resins, zinc borate and wax are combined with wood fibers in a patented manufacturing process. The surface of All-Weatherboard® composite material is finished with a durable decorative laminate and all exposed cabinet edges are sealed with a waterproof PVC edging.

EXPOSED SIDES & BACKS: Cabinet sides and backs that will be exposed to direct sunlight and other weather elements **MUST** be covered by a matching end panel in coordinating High Density Polyethylene (HDPE). Failure to install these protective panels will void the cabinet warranty.

CLEAN UP: Wash WeatherStrong with water and a soft cloth or sponge. A mild dishwashing liquid can be used if needed. A soft bristle brush may be used if needed.

FACTORY BUILT: WeatherStrong outdoor cabinets are built to order and arrive ready to be installed. The cabinet boxes are constructed from a waterproof 3/4" All-Weatherboard® composite material, using precision dowels and a solvent-free adhesive that provides excellent bond strength.

LIMITATIONS: All Designer Solid and Designer Woodgrain finishes are recommended for indoor wet or dry areas such as laundry rooms and garages or for any outdoor space where surface temperatures do not exceed 265° F.

SALT WATER ENVIRONMENTS: Oceanfront environments with salt air and sea spray will require regular maintenance and cleaning to prevent rust from forming on the handles, hinges and drawer runners. Clean stainless steel surfaces several times a month to keep the chemical reaction from the salt from gaining a foothold on the hardware. With regular cleaning, your cabinets will look like new for many years. To achieve maximum corrosion and stain resistance, the surface of the stainless steel must be kept clean.

INSTALLATION TO EXTERIOR WALLS: WeatherStrong can be installed indoors or out. To fasten cabinets to stucco, brick, or concrete block walls, stainless steel Tapcon® fasteners are recommended (3/16" x 2 3/4"), sold separately. For base cabinets two fasteners are recommended, and four are recommended for wall cabinet installations.



HARDWARE



CONTOURED POLISHED C-PULL

- 316 Stainless steel handle with screws
- 4 1/4" overall length
- 3 15/16" center to center

DH-00171



EURO BAR PULL

- 316 Stainless steel handle with screws
- 7 9/32" overall length
- 5 1/32" center to center

DH-21021



WIDE BRUSHED C-PULL

- 316 Stainless steel handle with screws
- 4 1/16" overall length
- 3 3/4" center to center

DH-45170



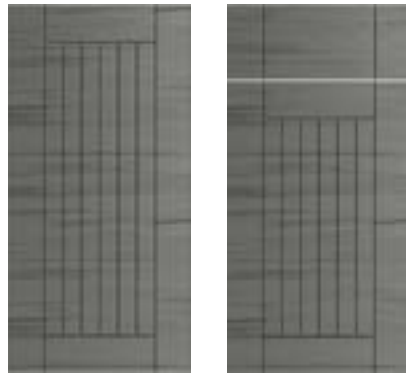
PROFESSIONAL BAR PULL

- 316 Stainless steel handle with screws
- 8 3/4" overall length
- 7 1/2" center to center

DH-92170

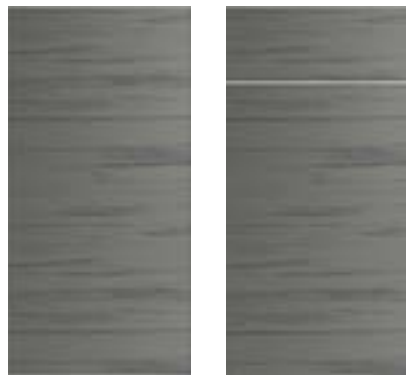
Check the width of your drawer front. The handle fits drawer fronts of 18" wide or more.
Fits all Miami drawer fronts

DOOR STYLES



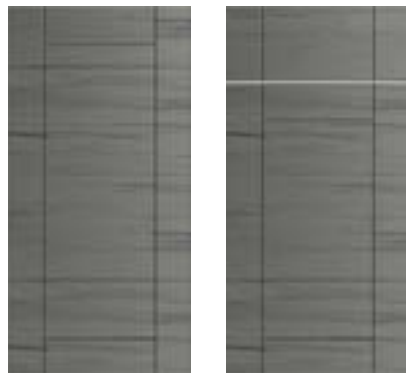
DAYTONA

- 5/8" thick flat panel door with an extended stile cottage-inspired routed center panel design in a durable & color through High Density Polyethylene finish
- Fully concealed stainless steel hinges
- Side mounted, ball bearing stainless steel drawer runners
- Decorative hardware required and sold separately. See page 42 for details.
- Lifetime Limited Warranty



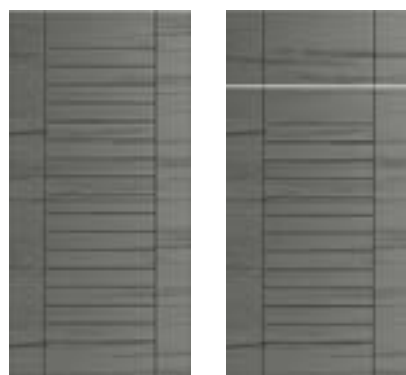
MIAMI

- Designer Solid and Designer Woodgrain finishes have a 5/8" thick flat panel door in a durable & color through High Density Polyethylene finish
- Fully concealed stainless steel hinges
- Side mounted, ball bearing stainless steel drawer runners
- Decorative hardware required and sold separately. See page 42 for details.
- Lifetime Limited Warranty



SANIBEL

- 5/8" thick flat panel door with an extended stile shaker-inspired routed center panel design in a durable & color through High Density Polyethylene finish
- Fully concealed stainless steel hinges
- Side mounted, ball bearing stainless steel drawer runners
- Decorative hardware required and sold separately. See page 42 for details.
- Lifetime Limited Warranty



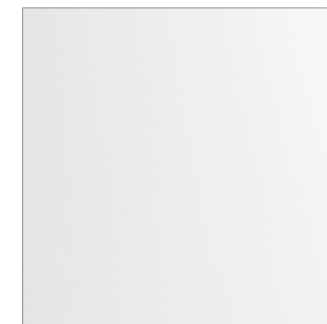
TAMPA

- 5/8" thick flat panel door with an extended stile louver-inspired routed center panel design in a durable & color through High Density Polyethylene finish
- Fully concealed stainless steel hinges
- Side mounted, ball bearing stainless steel drawer runners
- Decorative hardware required and sold separately. See page 42 for details.
- Lifetime Limited Warranty

Images are computer generated and should not be used for true color representation or color matching. Please order a sample to view the actual color of the door in your space and light.

FINISHES

HDPE SOLID DOOR FINISHES* - Lifetime Limited Warranty



Shell White - HDPE



Shoreline Gray - HDPE



Bluff Beige - HDPE



Dock Brown - HDPE



Pitch Black - HDPE



Emerald Green - HDPE



Reef Blue - HDPE



Sapphire Blue - HDPE

HDPE WOODGRAIN DOOR FINISHES* - Lifetime Limited Warranty



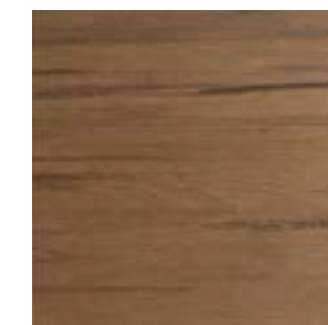
Whitewash - HDPE



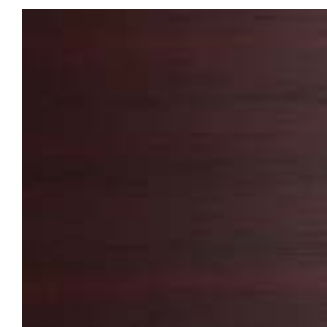
Weatherwood - HDPE



Dark Ash - HDPE



Teak - HDPE



Mahogany - HDPE

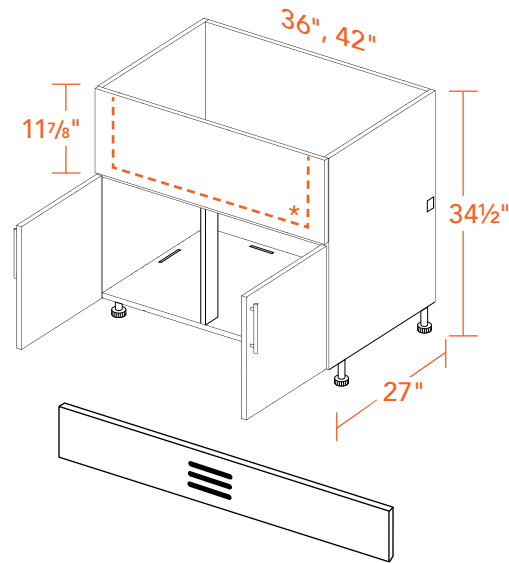
All HDPE Solid and Woodgrain finishes are recommended for indoor wet or dry areas such as laundry rooms and garages or for any outdoor space where surface temperatures do not exceed 265° F.

Images are computer generated and should not be used for true color representation or color matching. Please order a sample to view the actual color of the door in your space and light.

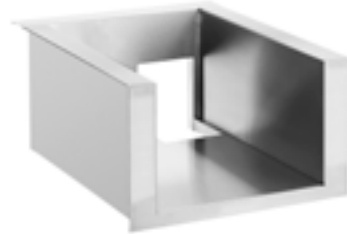
IMPORTANT - GRILL AND SIDE BURNER BASES

INSULATING JACKET REQUIRED

Customer Responsibility: Grill and side burner bases must be installed with a jacket to maintain warranty coverage



Please Note:
These are the slots that will be precut into the toe kick material



GRILL CABINETS

Grill Cabinet Coding

GB 36 IB		
GB	36	IB
Cabinet Code	Width	

FEATURES

- The face plate is modified in field to accept the respective heat liner used with the gas grill
- Includes 4 'Sure Level' polymer legs, shipped loose for field installation and leveling
- Separate toe kick with 3 pre-cut ventilation outlets
- Stainless steel handles are required and sold separately. See page 42 for details.
- Side Burner and Grill Base cabinets include pre-cut ventilation outlets.
 - 3 in the floor of the cabinet
 - 1 3/4" x 1 3/4" square hole in each side of the cabinet.
- These ventilation outlets allow the release of possible heat or gas build up.

PLEASE NOTE

All built in grill heads require an insulated jacket. Please consult your grill manufacturer for the appropriate model.

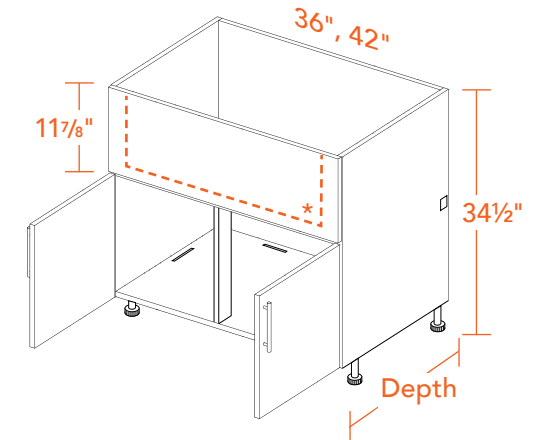
4 ventilation outlets included to allow the release of possible heat or gas build-up.

1 in the toe kick panel

3 in the floor of the cabinet

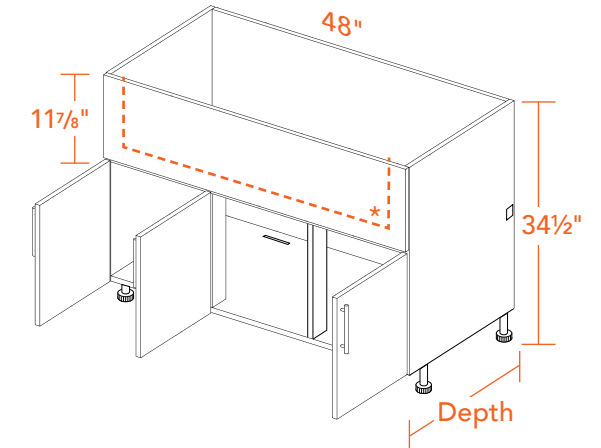
Venting will still need to be cut on the job site at the end of a cabinet run. Venting will need to be cut into the decorative end panel. Please see pg 49-50 for more information.

Consult your grill manufacturer for the appropriate model.



GRILL DOUBLE DOOR BASE

Item Number	Width	Depth	Height
GB36IB	36	27	34.5
GB3630IB	36	30	34.5
GB42IB	42	27	34.5
GB4230IB	42	30	34.5



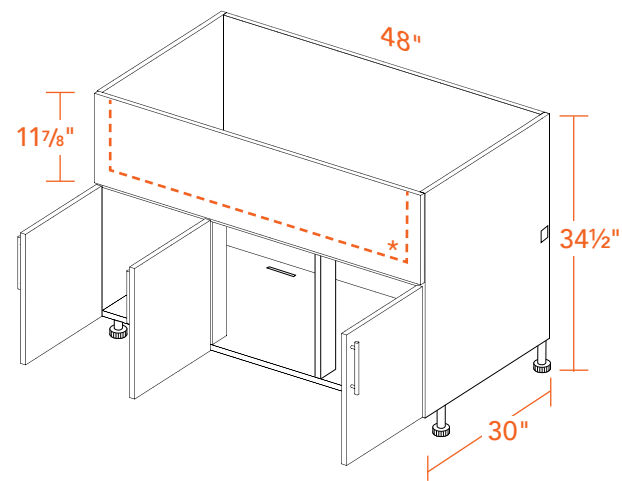
GRILL THREE DOOR BASE

Item Number	Width	Depth	Height
GB48IB	48	27	34.5
GB4830IB	48	30	34.5



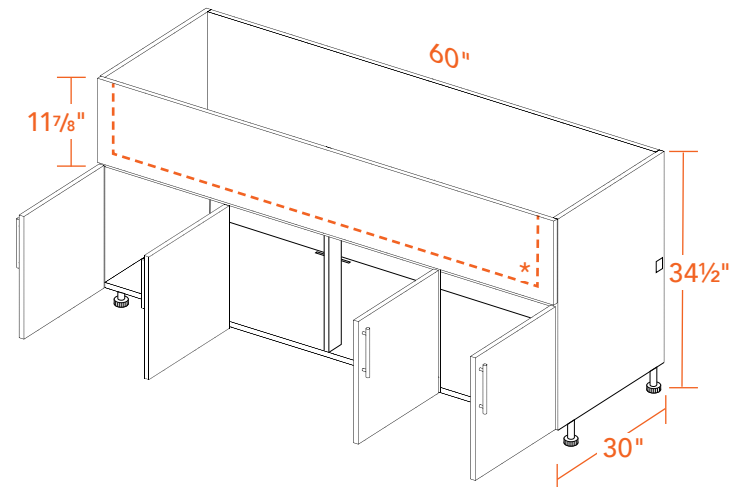
*Grill cabinets are manufactured with two full upper face plates that will need to be field modified to accept the heat liner used with the gas grill. The second matching panel will be shipped loose for ease of modification and installation. It can be attached with stainless steel screws or a suitable construction grade adhesive. Under no circumstance should a grill be installed without the appropriate heat liner specified by the manufacturer of the appliance or warranty is invalid.

GRILL CABINETS



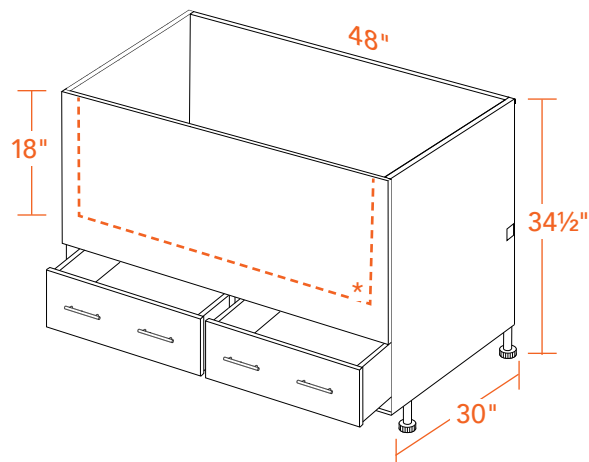
GRILL THREE DOOR BASE

Item Number	Width	Depth	Height
GB4830IB	48	30	34.5



GRILL FOUR DOOR BASE

Item Number	Width	Depth	Height
GB60IB	60	30	34.5



EXTENDED APRON GRILL DOUBLE DRAWER BASE

Item Number	Width	Depth	Height
GBP48IB	48	30	34.5



SIDE BURNER CABINETS

Side Burner Cabinet Coding

SB 36 IB			
SB Cabinet Code	15 Width	27 Depth	IB

FEATURES

- The face plate is modified in field to accept the respective heat liner used with the side burner
- 3/4" All-Weatherboard® composite material cabinet construction
- Includes 4 'Sure Level' polymer legs, shipped loose for field installation and leveling
- Separate toe kick with venting included

PLEASE NOTE

All built in side burners require an insulated jacket. Please consult your side burner manufacturer for the appropriate model.

The face plate is modified in field to accept the respective heat liner used with the side burner
3/4" All-Weatherboard® composite material cabinet construction

Fully integrated back panel

Includes 4 'Sure Level' polymer legs, shipped loose for field installation and leveling

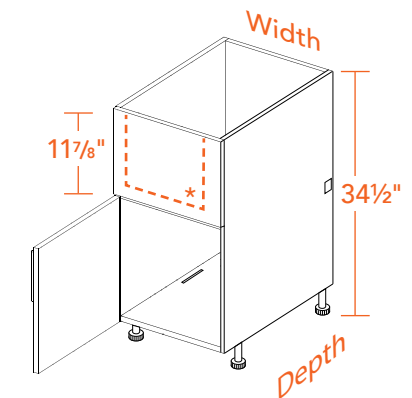
Available in all door styles and finishes

Separate toe kick with venting included

Stainless steel handles are required and sold separately. See page 42 for details.

*Grill and side burner cabinets are manufactured with two full upper face plates that will need to be field modified to accept the respective heat liner used with the gas grill or side burner.

The second matching panel will be shipped loose for ease of modification and installation. It can be attached with stainless steel screws or a suitable construction grade adhesive. Under no circumstance should a grill or side burner be installed without the appropriate heat liner specified by the manufacturer of the appliance.

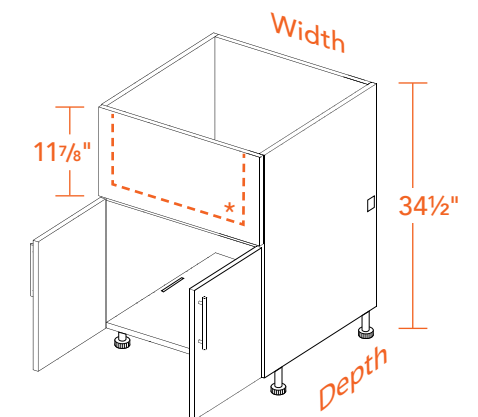


SIDE BURNER SINGLE DOOR BASE

Item Number	Width	Depth	Height
SBB15LIB	15	27	34.5
SBB15RIB	15	27	34.5
SBB1530LIB	15	30	34.5
SBB1530RIB	15	30	34.5

SBB18LIB	18	27	34.5
SBB18RIB	18	27	34.5
SBB1830LIB	18	30	34.5
SBB1830RIB	18	30	34.5

SBB21LIB	21	27	34.5
SBB21RIB	21	27	34.5
SBB2130LIB	21	30	34.5
SBB2130RIB	21	30	34.5



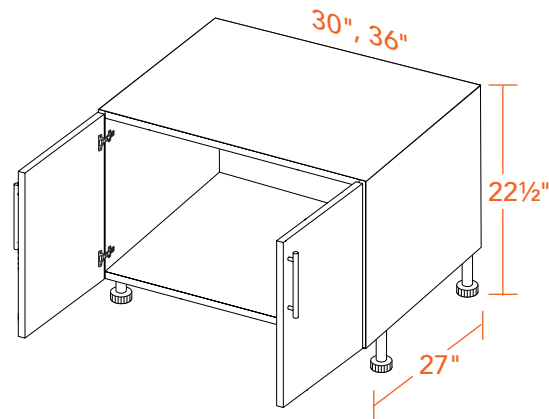
SIDE BURNER DOUBLE DOOR BASE

Item Number	Width	Depth	Height
SBB24IB	24	27	34.5
SBB2430IB	24	30	34.5
SBB30IB	30	27	34.5
SBB3030IB	30	30	34.5



The extended apron grill base is engineered for grills with liners that require a taller apron cut. Hybrid grills and Pellet grills are just a couple examples. The apron space on this grill is 18" in height and will need to be cut on the job site. Please consult your grill manufacture install instructions for the correct height required. Two drawers at the bottom allow for storage of grill pellets or other grilling items.

KAMADO GRILL BASE CABINET



KAMADO BASE CABINET TIP

Kamado grill base cabinet requires the use of an outdoor counter surface on top of the base. This is where the grill will set. Please consult the grill manufacture for surrounding clearance and installation of the grill.



KAMADO GRILL BASE

Item Number	Width	Depth	Height
B302718IB	30	27	22.5
B362718IB	36	27	22.5



BASE CABINETS

Base Cabinet Coding

B 12 18 FH L IB

B	12	18	FB	L	IB
Cabinet Code	Width	Depth	Full Height Door	Left Hinge	

Drawer Base Cabinet Coding

B 3D 12 27 IB

B	3D	18	FB	IB
Cabinet Code	Three Drawers	Width	Depth	

FEATURES

- Single full depth adjustable shelf
- 3/4" All-Weatherboard® composite material cabinet construction
- Fully integrated back panel
- Includes 4 'Sure Level' polymer legs, shipped loose for field installation and leveling
- Available in all door styles and finishes
- Stainless steel handles are required and sold separately. See page 42 for details.

FEATURES

- Single full depth adjustable shelf
- 3/4" All-Weatherboard® composite material cabinet construction
- Fully integrated back panel
- Includes 4 'Sure Level' polymer legs, shipped loose for field installation and leveling
- Available in all door styles and finishes
- 316 stainless steel handles are required and sold separately. See page 42 for details.
- Top drawer front is 6" high
- On three drawer bases bottom drawer fronts are 12" high
- On four drawer bases bottom drawer fronts are 8" high



BASE CABINETS

Base cabinet construction features a 30" high cabinet box, which must be mounted on-site on 4 1/2" high 'Sure Level' adjustable polymer legs. Legs are adjustable from 4" to 5 1/2" high. Optional stainless steel adjustable legs are available as an accessory. Optional snap on matching toe kick panels are available 6" high x 96" long, for site modification and installation.

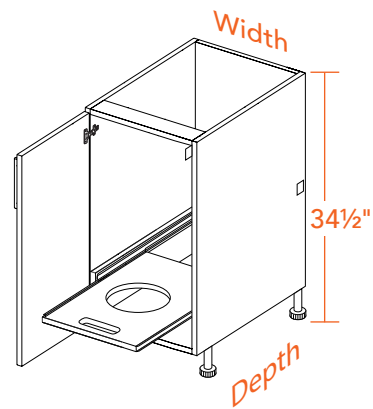
Our base cabinets feature a full-height 3/4" thick enclosed All-Weatherboard® composite material back panel. Base cabinets can be installed as a freestanding island, or as a peninsula extending from a wall.

BASE CABINET TIP

Base cabinets are great for use as a free standing island and in wide open areas. The fully integrated back panels provide a factory built barrier against debris entering the cabinet. Exposed backs and sides require the use of Base or Island Panels. See pg 33-34 for size availability.



BASE CABINETS



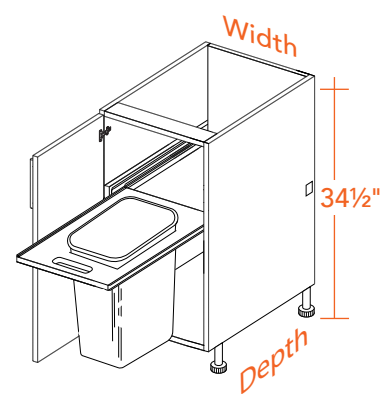
FULL HEIGHT SINGLE DOOR WITH PROPANE PULL-OUT

SPECIFY RIGHT OR LEFT HINGED

Item Number	Width	Depth	Height
B18FHLIB-PP	18	24	34.5
B18FHRIB-PP	18	24	34.5
B1827FHLIB-PP	18	27	34.5
B1827FHRIB-PP	18	27	34.5
B21FHLIB-PP	21	24	34.5
B21FHRIB-PP	21	24	34.5
B2127FHLIB-PP	21	27	34.5
B2127FHRIB-PP	21	27	34.5

FEATURES

- Pull-out features soft close, side mounted, ball bearing stainless steel drawer glides
- Weather proof inset handle for easy grip
- Circular cut-out for up to a standard 20lb propane tank



FULL HEIGHT SINGLE DOOR WITH TRASH CAN PULL-OUT

SPECIFY RIGHT OR LEFT HINGED

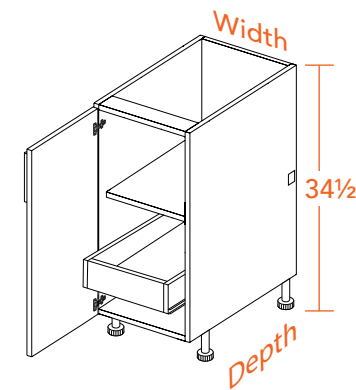
Item Number	Width	Depth	Height
B18FHLIB-TC	18	24	34.5
B18FHRIB-TC	18	24	34.5
B1827FHLIB-TC	18	27	34.5
B1827FHRIB-TC	18	27	34.5
B21FHLIB-TC	21	24	34.5
B21FHRIB-TC	21	24	34.5
B2127FHLIB-TC	21	27	34.5
B2127FHRIB-TC	21	27	34.5

FEATURES

- Pull-out features soft close, side mounted, ball bearing stainless steel drawer glides
- Weather proof inset handle for easy grip
- Removable 35 quart capacity plastic bin with weather proof gasket



BASE CABINETS



FULL HEIGHT SINGLE DOOR WITH 1 ROLL-OUT TRAY

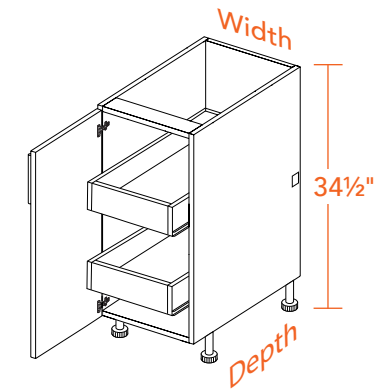
SPECIFY RIGHT OR LEFT HINGED

Item Number	Width	Depth	Height
B12FHLIB-1T	12	24	34.5
B12FHRIB-1T	12	24	34.5
B1227FHLIB-1T	12	27	34.5
B1227FHRIB-1T	12	27	34.5
B15FHLIB-1T	15	24	34.5
B15FHRIB-1T	15	24	34.5
B1527FHLIB-1T	15	27	34.5
B1527FHRIB-1T	15	27	34.5
B18FHLIB-1T	18	24	34.5
B18FHRIB-1T	18	24	34.5
B1827FHLIB-1T	18	27	34.5
B1827FHRIB-1T	18	27	34.5
B21FHLIB-1T	21	24	34.5
B21FHRIB-1T	21	24	34.5
B2127FHLIB-1T	21	27	34.5
B2127FHRIB-1T	21	27	34.5

FEATURES

- Roll-out tray features soft close, side mounted, ball bearing 316 stainless steel drawer glides
- Roll-out tray is 6" high by 21 3/4" deep, and is constructed of 3/4" All-Weatherboard® composite material construction, sides and bottom panel
- Only available in 24" and 27" depth

*27" deep base cabinets have the same roll-out tray as the 24" deep cabinets



FULL HEIGHT SINGLE DOOR WITH 2 ROLL-OUT TRAYS

SPECIFY RIGHT OR LEFT HINGED

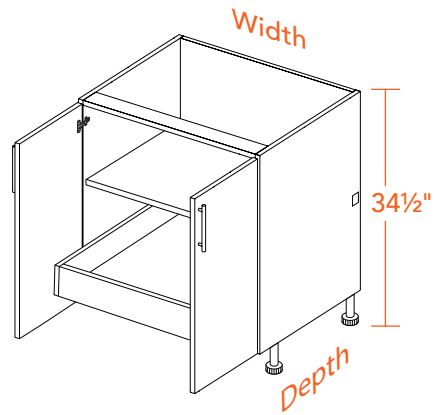
Item Number	Width	Depth	Height
B12FHLIB-2T	12	24	34.5
B12FHRIB-2T	12	24	34.5
B1227FHLIB-2T	12	27	34.5
B1227FHRIB-2T	12	27	34.5
B15FHLIB-2T	15	24	34.5
B15FHRIB-2T	15	24	34.5
B1527FHLIB-2T	15	27	34.5
B1527FHRIB-2T	15	27	34.5
B18FHLIB-2T	18	24	34.5
B18FHRIB-2T	18	24	34.5
B1827FHLIB-2T	18	27	34.5
B1827FHRIB-2T	18	27	34.5
B21FHLIB-2T	21	24	34.5
B21FHRIB-2T	21	24	34.5
B2127FHLIB-2T	21	27	34.5
B2127FHRIB-2T	21	27	34.5

FEATURES

- Roll-out trays feature soft close, side mounted, ball bearing 316 stainless steel drawer glides
- Roll-out trays are 6" high by 21 3/4" deep, and are constructed of 3/4" All-Weatherboard® composite material construction, sides and bottom panel
- Only available in 24" and 27" depth

*27" deep base cabinets have the same roll-out tray as the 24" deep cabinets

BASE CABINETS

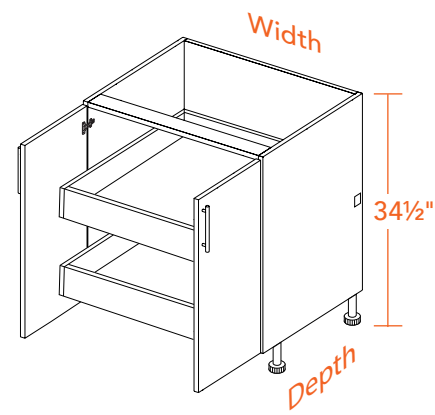


FULL HEIGHT DOUBLE DOOR WITH 1 ROLL-OUT TRAY

Item Number	Width	Depth	Height
B24FHIB-1T	24	24	34.5
B2427FHIB-1T	24	27	34.5
B27FHIB-1T	27	24	34.5
B2727FHIB-1T	27	27	34.5
B30FHIB-1T	30	24	34.5
B3027FHIB-1T	30	27	34.5
B33FHIB-1T	33	24	34.5
B3327FHIB-1T	33	27	34.5
B36FHIB-1T	36	24	34.5
B3627FHIB-1T	36	27	34.5

FEATURES

- Roll-out tray features soft close, side mounted, ball bearing 316 stainless steel drawer glides
- Roll-out tray is 6" high by 21 3/4" deep, and is constructed of 3/4" All-Weatherboard® composite material construction, sides and bottom panel
- Only available in 24" and 27" depth

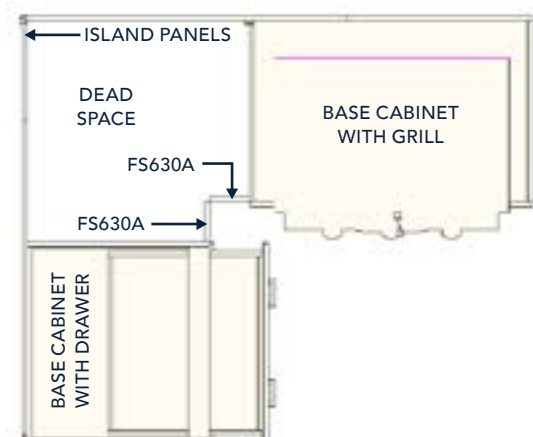


FULL HEIGHT DOUBLE DOOR WITH 2 ROLL-OUT TRAYS

Item Number	Width	Depth	Height
B24FHIB-2T	24	24	34.5
B2427FHIB-2T	24	27	34.5
B27FHIB-2T	27	24	34.5
B2727FHIB-2T	27	27	34.5
B30FHIB-2T	30	24	34.5
B3027FHIB-2T	30	27	34.5
B33FHIB-2T	33	24	34.5
B3327FHIB-2T	33	27	34.5
B36FHIB-2T	36	24	34.5
B3627FHIB-2T	36	27	34.5

FEATURES

- Roll-out trays feature soft close, side mounted, ball bearing 316 stainless steel drawer glides
- Roll-out trays are 6" high by 21 3/4" deep, and are constructed of 3/4" All-Weatherboard® composite material construction, sides and bottom panel
- Only available in 24" and 27" depth

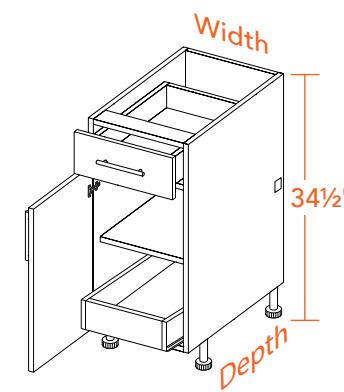


DESIGN TIP

When creating a corner, where there is a grill or other appliance close, make sure to leave enough clearance. This can be designed using fillers to create the corner. This will allow your adjacent drawers/doors to open and not collide with the appliance.



BASE CABINETS



SINGLE DOOR & DRAWER WITH 1 ROLL-OUT TRAY

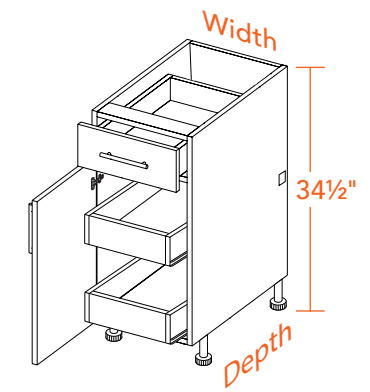
SPECIFY RIGHT OR LEFT HINGED

Item Number	Width	Depth	Height
B12LIB-1T	12	24	34.5
B12RIB-1T	12	24	34.5
B1227LIB-1T*	12	27	34.5
B1227RIB-1T*	12	27	34.5
B15LIB-1T	15	24	34.5
B15RIB-1T	15	24	34.5
B1527LIB-1T*	15	27	34.5
B1527RIB-1T*	15	27	34.5
B18LIB-1T	18	24	34.5
B18RIB-1T	18	24	34.5
B1827LIB-1T*	18	27	34.5
B1827RIB-1T*	18	27	34.5
B21LIB-1T	21	24	34.5
B21RIB-1T	21	24	34.5
B2127LIB-1T*	21	27	34.5
B2127RIB-1T*	21	27	34.5

FEATURES

- Roll-out tray features soft close, side mounted, ball bearing 316 stainless steel drawer glides
- Roll-out tray is 6" high by 21 3/4" deep, and is constructed of 3/4" All-Weatherboard® composite material construction, sides and bottom panel
- Only available in 24" and 27" depth

*27" deep base cabinets have the same roll-out tray as the 24" deep cabinets



SINGLE DOOR & DRAWER WITH 2 ROLL-OUT TRAYS

SPECIFY RIGHT OR LEFT HINGED

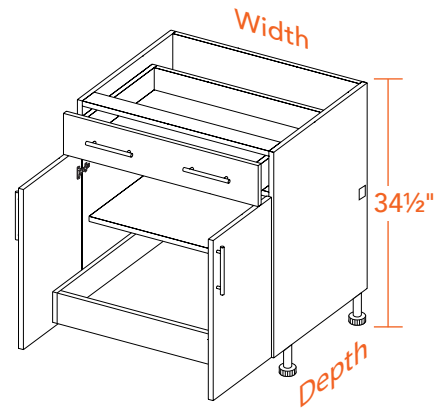
Item Number	Width	Depth	Height
B12LIB-2T	12	24	34.5
B12RIB-2T	12	24	34.5
B1227LIB-2T*	12	27	34.5
B1227RIB-2T*	12	27	34.5
B15LIB-2T	15	24	34.5
B15RIB-2T	15	24	34.5
B1527LIB-2T*	15	27	34.5
B1527RIB-2T*	15	27	34.5
B18LIB-2T	18	24	34.5
B18RIB-2T	18	24	34.5
B1827LIB-2T*	18	27	34.5
B1827RIB-2T*	18	27	34.5
B21LIB-2T	21	24	34.5
B21RIB-2T	21	24	34.5
B2127LIB-2T*	21	27	34.5
B2127RIB-2T*	21	27	34.5

FEATURES

- Roll-out trays feature soft close, side mounted, ball bearing 316 stainless steel drawer glides
- Roll-out tray is 6" high by 21 3/4" deep, and is constructed of 3/4" All-Weatherboard® composite material construction, sides and bottom panel

*27" deep base cabinets have the same roll-out tray as the 24" deep cabinets

BASE CABINETS



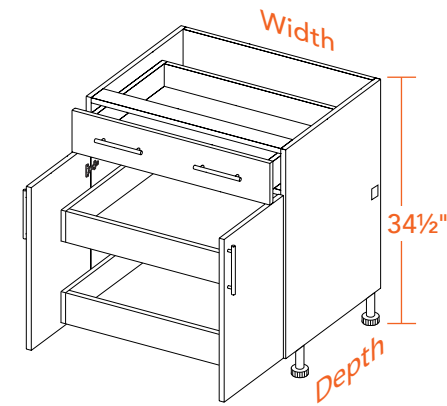
DOUBLE DOOR & DRAWER WITH 1 ROLL-OUT TRAY

Item Number	Width	Depth	Height
B24IB-1T	24	24	34.5
B2427IB-1T*	24	27	34.5
B27IB-1T	27	24	34.5
B2727IB-1T*	27	27	34.5
B30IB-1T	30	24	34.5
B3027IB-1T*	30	27	34.5
B33IB-1T	33	24	34.5
B3327IB-1T*	33	27	34.5
B36IB-1T	36	24	34.5
B3627IB-1T*	36	27	34.5

FEATURES

- Roll-out tray features soft close, side mounted, ball bearing 316 stainless steel drawer glides
- Roll-out tray is 6" high by 21 3/4" deep, and is constructed of 3/4" All-Weatherboard® composite material construction, sides and bottom panel

*27" deep base cabinets have the same roll-out tray as the 24" deep cabinets



DOUBLE DOOR & DRAWER WITH 2 ROLL-OUT TRAYS

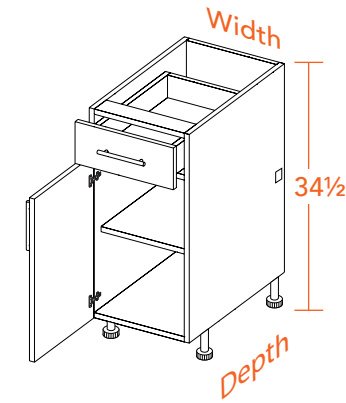
Item Number	Width	Depth	Height
B24IB-2T	24	24	34.5
B2427IB-2T*	24	27	34.5
B27IB-2T	27	24	34.5
B2727IB-2T*	27	27	34.5
B30IB-2T	30	24	34.5
B3027IB-2T*	30	27	34.5
B33IB-2T	33	24	34.5
B3327IB-2T*	33	27	34.5
B36IB-2T	36	24	34.5
B3627IB-2T*	36	27	34.5

FEATURES

- Roll-out trays feature soft close, side mounted, ball bearing 316 stainless steel drawer glides
- Roll-out tray is 6" high by 21 3/4" deep, and is constructed of 3/4" All-Weatherboard® composite material construction, sides and bottom panel

*27" deep base cabinets have the same roll-out tray as the 24" deep cabinets

BASE CABINETS



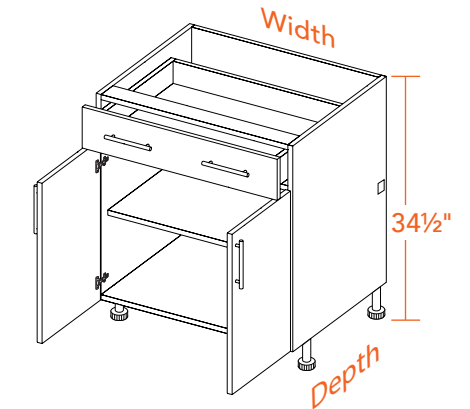
SINGLE DOOR & DRAWER

SPECIFY RIGHT OR LEFT HINGED

Item Number	Width	Depth	Height
B12LIB	12	24	34.5
B12RIB	12	24	34.5
B1227LIB	12	27	34.5
B1227RIB	12	27	34.5
B15LIB	15	24	34.5
B15RIB	15	24	34.5
B1527LIB	15	27	34.5
B1527RIB	15	27	34.5
B18LIB	18	24	34.5
B18RIB	18	24	34.5
B1827LIB	18	27	34.5
B1827RIB	18	27	34.5
B21LIB	21	24	34.5
B21RIB	21	24	34.5
B2127LIB	21	27	34.5
B2127RIB	21	27	34.5

FEATURES

- Single full depth adjustable shelf



DOUBLE DOOR & DRAWER

Item Number	Width	Depth	Height
B24IB	24	24	34.5
B2427IB	24	27	34.5
B27IB	27	24	34.5
B2727IB	27	27	34.5
B30IB	30	24	34.5
B3027IB	30	27	34.5
B33IB	33	24	34.5
B3327IB	33	27	34.5
B36IB	36	24	34.5
B3627IB	36	27	34.5

FEATURES

- Single full depth adjustable shelf

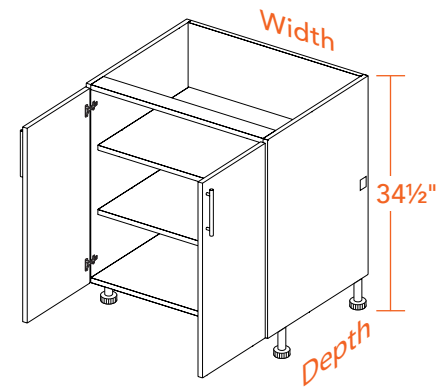
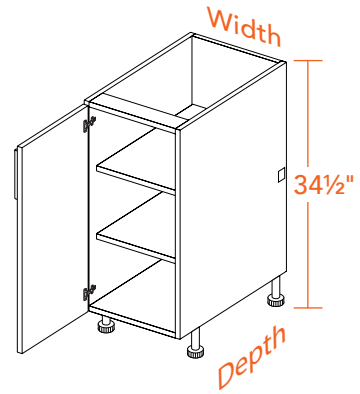
MEASUREMENTS TO KEEP IN MIND

It is important to make sure there is enough room between appliance and walkways.

- Grill/Pizza oven - 24" on one side and 12" on the other counter space is recommended
- Sink - 18" on each side
- Refrigerators- 15" of counter space around or above
- Side burners/ cooktops- 12" on each side
- Minimum workspace 36" w x 24" d
- Minimum storage 21" linear storage.

Please keep in mind these are recommended and should keep in mind to keep things practical.

BASE CABINETS



FULL HEIGHT SINGLE DOOR

SPECIFY RIGHT OR LEFT HINGED

Item Number	Width	Depth	Height
B1218FHLIB	12	18	34.5
B1218FHRIB	12	18	34.5
B1221FHLIB	12	21	34.5
B1221FHRIB	12	21	34.5
B12FHLIB	12	24	34.5
B12FHRIB	12	24	34.5
B1227FHLIB	12	27	34.5
B1227FHRIB	12	27	34.5
B1518FHLIB	15	18	34.5
B1518FHRIB	15	18	34.5
B1521FHLIB	15	21	34.5
B1521FHRIB	15	21	34.5
B15FHLIB	15	24	34.5
B15FHRIB	15	24	34.5
B1527FHLIB	15	27	34.5
B1527FHRIB	15	27	34.5
B1818FHLIB	18	18	34.5
B1818FHRIB	18	18	34.5
B1821FHLIB	18	21	34.5
B1821FHRIB	18	21	34.5
B18FHLIB	18	24	34.5
B18FHRIB	18	24	34.5
B1827FHLIB	18	27	34.5
B1827FHRIB	18	27	34.5
B2118FHLIB	21	18	34.5
B2118FHRIB	21	18	34.5
B2121FHLIB	21	21	34.5
B2121FHRIB	21	21	34.5
B21FHLIB	21	24	34.5
B21FHRIB	21	24	34.5
B2127FHLIB	21	27	34.5
B2127FHRIB	21	27	34.5

FEATURES

- Two full-depth adjustable shelves

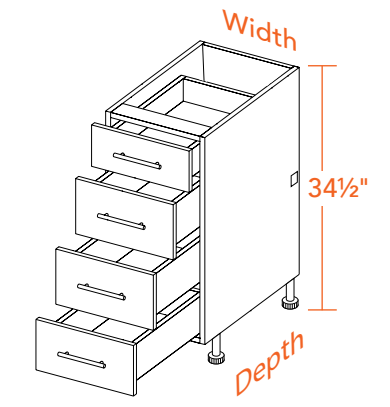
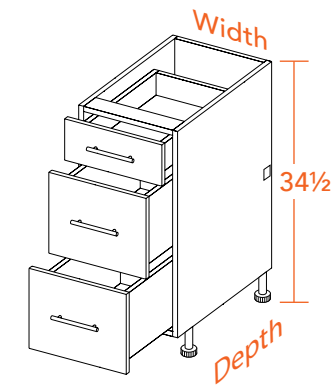
FULL HEIGHT DOUBLE DOOR

Item Number	Width	Depth	Height
B2418FHIB	24	18	34.5
B2421FHIB	24	21	34.5
B24FHIB	24	24	34.5
B2427FHIB	24	27	34.5
B2718FHIB	27	18	34.5
B2721FHIB	27	21	34.5
B27FHIB	27	24	34.5
B2727FHIB	27	27	34.5
B3018FHIB	30	18	34.5
B3021FHIB	30	21	34.5
B30FHIB	30	24	34.5
B3027FHIB	30	27	34.5
B3318FHIB	33	18	34.5
B3321FHIB	33	21	34.5
B33FHIB	33	24	34.5
B3327FHIB	33	27	34.5
B3618FHIB	36	18	34.5
B3621FHIB	36	21	34.5
B36FHIB	36	24	34.5
B3627FHIB	36	27	34.5

FEATURES

- Two full-depth adjustable shelves

BASE CABINETS



3 DRAWER BASE

Item Number	Width	Depth	Height
B3D12IB	12	24	34.5
B3D1227IB	12	27	34.5
B3D15IB	15	24	34.5
B3D1527IB	15	27	34.5
B3D18IB	18	24	34.5
B3D1827IB	18	27	34.5
B3D21IB	21	24	34.5
B3D2127IB	21	27	34.5
B3D24IB	24	24	34.5
B3D2427IB	24	27	34.5

FEATURES

- Top drawer front is 6" high
- Middle and bottom drawer fronts are 12" high

4 DRAWER BASE

Item Number	Width	Depth	Height
B4D12IB	12	24	34.5
B4D1227IB	12	27	34.5
B4D15IB	15	24	34.5
B4D1527IB	15	27	34.5
B4D18IB	18	24	34.5
B4D1827IB	18	27	34.5
B4D21IB	21	24	34.5
B4D2127IB	21	27	34.5
B4D24IB	24	24	34.5
B4D2427IB	24	27	34.5

FEATURES

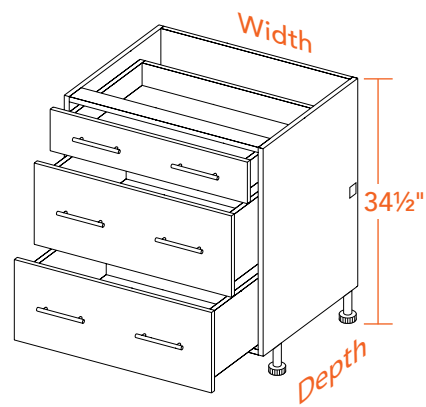
- Top drawer front is 6" high
- Bottom three drawer fronts are 8" high

"ZONES" TO KEEP IN MIND

When designing your kitchen you want to make sure each of your appliances are easily accessible. To help in doing this it's important to think in zones.

- Hot Zone: This is the heart of the kitchen, where you will have heat admitting appliances.
- Dry Zone: This is a food preparation area. You will want an area of counter space that is near the Hot Zone.
- Wet Zone: Area with your sink that can be near your Dry zone. This zone should not infringe on your prep station
- Cold Zone: This will be your refrigerator or cold storage appliances. This zone should be kept away from the Hot Zone.

BASE CABINETS

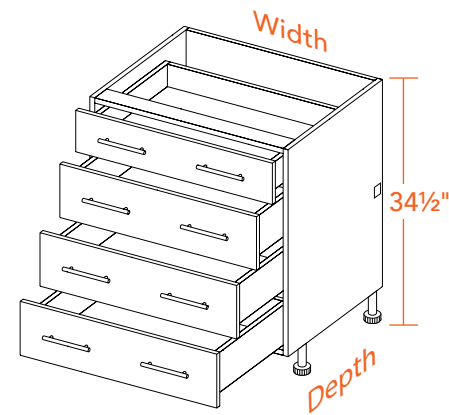


WIDE 3 DRAWER BASE

Item Number	Width	Depth	Height
B3D271B	27	24	34.5
B3D27271B	27	27	34.5
B3D301B	30	24	34.5
B3D30271B	30	27	34.5
B3D331B	33	24	34.5
B3D33271B	33	27	34.5
B3D361B	36	24	34.5
B3D36271B	36	27	34.5

FEATURES

- Top drawer front is 6" high
- Middle and bottom drawer fronts are 12" high



WIDE 4 DRAWER BASE

Item Number	Width	Depth	Height
B4D271B	27	24	34.5
B4D27271B	27	27	34.5
B4D301B	30	24	34.5
B4D30271B	30	27	34.5
B4D331B	33	24	34.5
B4D33271B	33	27	34.5
B4D361B	36	24	34.5
B4D36271B	36	27	34.5

FEATURES

- Top drawer front is 6" high
- Bottom three drawer fronts are 8" high

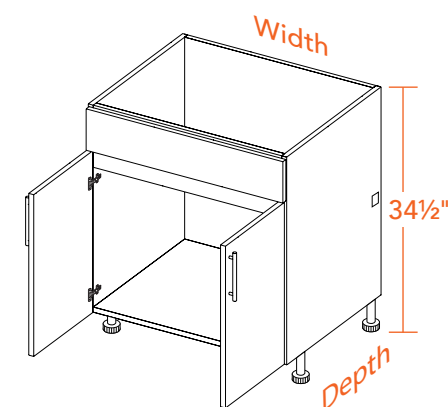
HOW MUCH BUFFER SPACE WILL I NEED?

In addition to the three feet of prep space, you'll need to consider the amount of "landing space" for each appliance in your outdoor kitchen to ensure it's a safe distance from walkways and from other appliances. Our recommendations are:

- Grill or pizza oven: 24" of counter space on one side and 12" on the other
- Sink: 18" on each side
- Refrigerator: 15" of counter space above or around the fridge
- Side burner/cooktop: 12" on each side

Of course, these "buffer zones" can contribute to the 36" of uninterrupted prep space mentioned earlier. Just be sure to consider the practical side of getting everything to fit, such as whether you want under-the-counter appliances such as a mini refrigerator to be right at your legs where you'll be doing the bulk of your prep work.

BASE CABINETS



DOUBLE DOOR SINK BASE

Item Number	Width	Depth	Height
SB24181B	24	18	34.5
SB24211B	24	21	34.5
SB241B	24	24	34.5
SB24271B	24	27	34.5
SB27181B	27	18	34.5
SB27211B	27	21	34.5
SB271B	27	24	34.5
SB27271B	27	27	34.5
SB30181B	30	18	34.5
SB30211B	30	21	34.5
SB301B	30	24	34.5
SB30271B	30	27	34.5
SB33181B	33	18	34.5
SB33211B	33	21	34.5
SB331B	33	24	34.5
SB33271B	33	27	34.5
SB36181B	36	18	34.5
SB36211B	36	21	34.5
SB361B	36	24	34.5
SB36271B	36	27	34.5

FEATURES

- False drawer front to accommodate sink
- No adjustable shelf

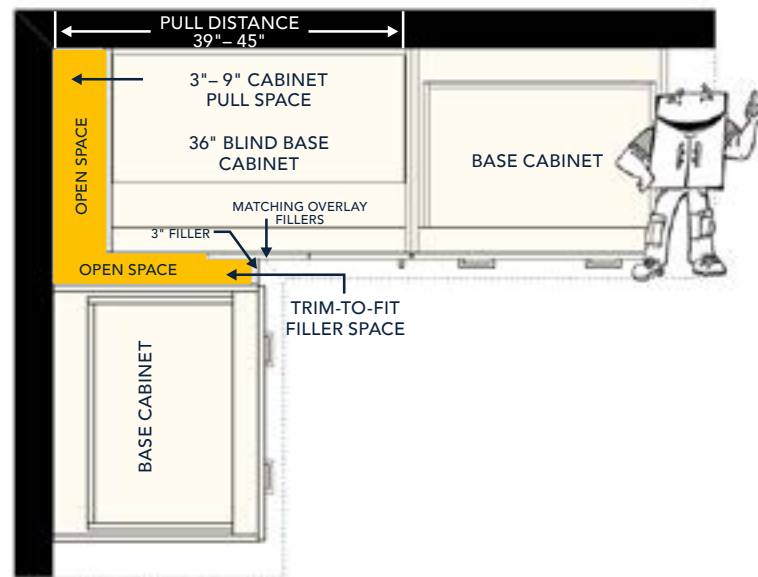
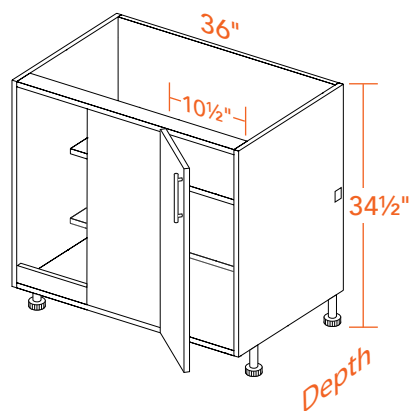


DECIDING ON YOUR OUTDOOR KITCHEN LAYOUT

The layout of your Outdoor Kitchen is very important. You want to make sure you decide on the layout that fits your needs and Zones you will be including.

- Parallel Run - This has premium space. Composed of two parallel counters that allows for easy back and forth between stations. Provides ample storage, cooking, and room for appliances
- U shape- 'U' shape layout is one of the most versatile. Large outdoor kitchens with this layout can benefit from being divided into multiple workstations.
- Straight- A straight run or single wall kitchen is popular and suited for smaller spaces or longer runs, Provides good workspace, areas for appliances, and storage.
- L shape- 'L' shaped kitchens are fantastic option that provides an open space. This provides the same benefits as the straight layout, but with an added L on one end.

BASE CABINETS



BLIND BASE

SPECIFY RIGHT OR LEFT HINGED (LEFT SHOWN)

Item Number	Width	Depth	Height
BBCU3918FHLIB	36	18	34.5
BBCU3918FHRIB	36	18	34.5
BBCU3921FHLIB	36	21	34.5
BBCU3921FHRIB	36	21	34.5
BBCU39FHLIB	36	24	34.5
BBCU39FHRIB	36	24	34.5
BBCU3927FHLIB	36	27	34.5
BBCU3927FHRIB	36	27	34.5

FEATURES

- Two reduced depth adjustable shelves
- 3" filler, 3" & 6" overlay fillers included
- Door width is 12", opening is 10 1/2"

BLIND BASE TIP

The Blind Base cabinet is 36" wide. It must be installed from 3" to 9" away from the adjacent wall. This allows the door full clearance and provides a flexible installation range. From the adjacent wall to the far edge of the cabinet, a minimum width of 39" to a maximum width of 45" is required.

WALL CABINETS

Wall Cabinet Coding

W 30 09 15 IB				
W	30	09	15	IB
Cabinet Code	Width	Depth	Height	

FEATURES

- 3/4" All-Weatherboard® composite material cabinet construction
- Fully integrated back panel
- 316 Stainless steel handles are required and sold separately. See page 42 for details.

PLEASE NOTE

If the sides of the wall cabinet will be exposed, make sure to order Matching Wall End Panel to cover the sides.

Do not place bridge cabinets over a heat emitting appliance, even if there is a range hood. The heat could damage the front of the cabinet.

DESIGN TIP

Wall cabinets can provide excellent additional storage.

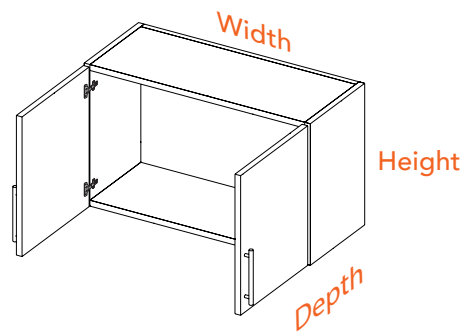
It is important to space plan when using wall cabinets to ensure there is proper distance from your heat emitting appliance and the start of your wall cabinet run.

If you have an area where you need a narrow storage, you can use a wall cabinet. Simply order an extra set of legs or have the installer build a platform under and cover with toe kick material. Much like you would do in an indoor kitchen.

As the cabinets are full overlay Euro style cabinet, fillers must be used if the cabinet is going against a side wall.



WALL CABINETS

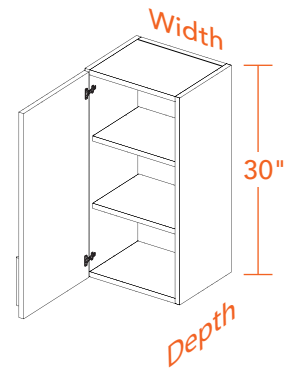


DOUBLE DOOR BRIDGE

Item Number	Width	Depth	Height
15" High			
W300915IB	30	9	15
W3015IB	30	12	15
W301515IB	30	15	15
W330915IB	33	9	15
W3315IB	33	12	15
W331515IB	33	15	15
W360915IB	36	9	15
W3615IB	36	12	15
W361515IB	36	15	15
18" High			
W300918IB	30	9	18
W3018IB	30	12	18
W301518IB	30	15	18
W330918IB	33	9	18
W3318IB	33	12	18
W331518IB	33	15	18
W360918IB	36	9	18
W3618IB	36	12	18
W361518IB	36	15	18
24" High			
W300924IB	30	9	24
W3024IB	30	12	24
W301524IB	30	15	24
W330924IB	33	9	24
W3324IB	33	12	24
W331524IB	33	15	24
W360924IB	36	9	24
W3624IB	36	12	24
W361524IB	36	15	24

FEATURES

- No interior shelves included



30" HIGH SINGLE DOOR

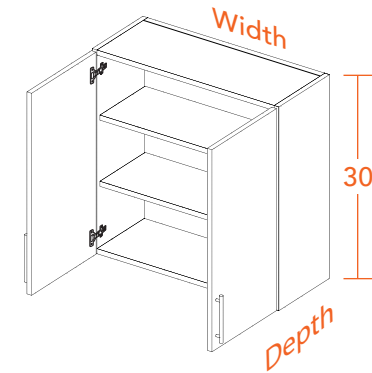
SPECIFY RIGHT OR LEFT HINGED

Item Number	Width	Depth	Height
W120930LIB	12	9	30
W120930RIB	12	9	30
W1230LIB	12	12	30
W1230RIB	12	12	30
W121530LIB	12	15	30
W121530RIB	12	15	30
W150930LIB	15	9	30
W150930RIB	15	9	30
W1530LIB	15	12	30
W1530RIB	15	12	30
W151530LIB	15	15	30
W151530RIB	15	15	30
W180930LIB	18	9	30
W180930RIB	18	9	30
W1830LIB	18	12	30
W1830RIB	18	12	30
W181530LIB	18	15	30
W181530RIB	18	15	30
W210930LIB	21	9	30
W210930RIB	21	9	30
W2130LIB	21	12	30
W2130RIB	21	12	30
W211530LIB	21	15	30
W211530RIB	21	15	30

FEATURES

- 2 full depth adjustable shelves

WALL CABINETS



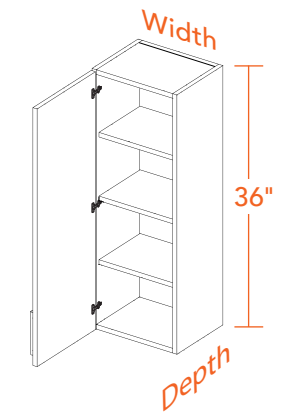
30" HIGH DOUBLE DOOR

SPECIFY RIGHT OR LEFT HINGED

Item Number	Width	Depth	Height
W240930IB	24	9	30
W2430IB	24	12	30
W241530IB	24	15	30
W270930IB	27	9	30
W2730IB	27	12	30
W271530IB	27	15	30
W300930IB	30	9	30
W3030IB	30	12	30
W301530IB	30	15	30
W330930IB	33	9	30
W3330IB	33	12	30
W331530IB	33	15	30
W360930IB	36	9	30
W3630IB	36	12	30
W361530IB	36	15	30

FEATURES

- 2 full depth adjustable shelves



36" HIGH SINGLE DOOR

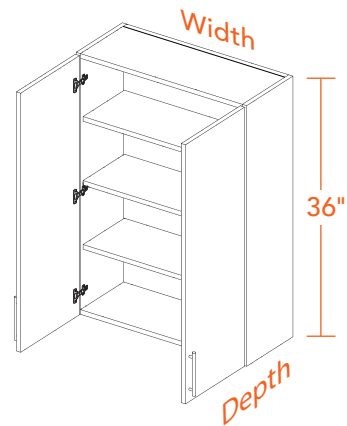
SPECIFY RIGHT OR LEFT HINGED

Item Number	Width	Depth	Height
W120936LIB	12	9	36
W120936RIB	12	9	36
W1236LIB	12	12	36
W1236RIB	12	12	36
W121536LIB	12	15	36
W121536RIB	12	15	36
W150936LIB	15	9	36
W150936RIB	15	9	36
W1536LIB	15	12	36
W1536RIB	15	12	36
W151536LIB	15	15	36
W151536RIB	15	15	36
W180936LIB	18	9	36
W180936RIB	18	9	36
W1836LIB	18	12	36
W1836RIB	18	12	36
W181536LIB	18	15	36
W181536RIB	18	15	36
W210936LIB	21	9	36
W210936RIB	21	9	36
W2136LIB	21	12	36
W2136RIB	21	12	36
W211536LIB	21	15	36
W211536RIB	21	15	36

FEATURES

- 3 full depth adjustable shelves

WALL CABINETS



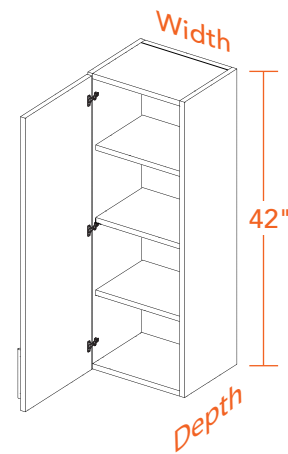
36" HIGH DOUBLE DOOR

SPECIFY RIGHT OR LEFT HINGED

Item Number	Width	Depth	Height
W240936IB	24	9	36
W2436IB	24	12	36
W241536IB	24	15	36
W270936IB	27	9	36
W2736IB	27	12	36
W271536IB	27	15	36
W300936IB	30	9	36
W3036IB	30	12	36
W301536IB	30	15	36
W330936IB	33	9	36
W3336IB	33	12	36
W331536IB	33	15	36
W360936IB	36	9	36
W3636IB	36	12	36
W361536IB	36	15	36

FEATURES

- 3 full depth adjustable shelves



42" HIGH SINGLE DOOR

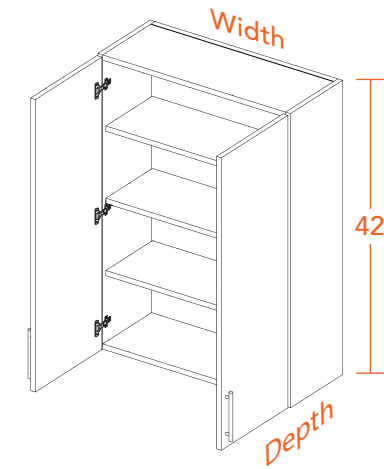
SPECIFY RIGHT OR LEFT HINGED

Item Number	Width	Depth	Height
W120942LIB	12	9	42
W120942RIB	12	9	42
W1242LIB	12	12	42
W1242RIB	12	12	42
W121542LIB	12	15	42
W121542RIB	12	15	42
W150942LIB	15	9	42
W150942RIB	15	9	42
W1542LIB	15	12	42
W1542RIB	15	12	42
W151542LIB	15	15	42
W151542RIB	15	15	42
W180942LIB	18	9	42
W180942RIB	18	9	42
W1842LIB	18	12	42
W1842RIB	18	12	42
W181542LIB	18	15	42
W181542RIB	18	15	42
W210942LIB	21	9	42
W210942RIB	21	9	42
W2142LIB	21	12	42
W2142RIB	21	12	42
W211542LIB	21	15	42
W211542RIB	21	15	42

FEATURES

- 3 full depth adjustable shelves

WALL CABINETS



42" HIGH DOUBLE DOOR

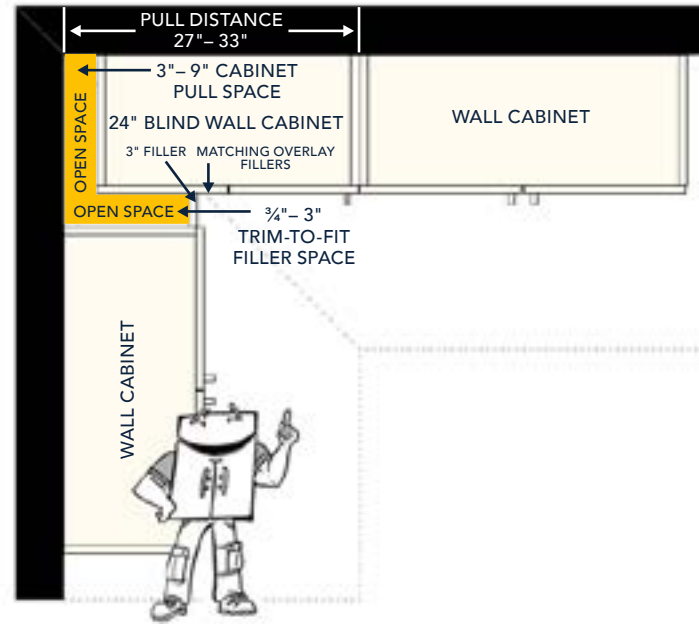
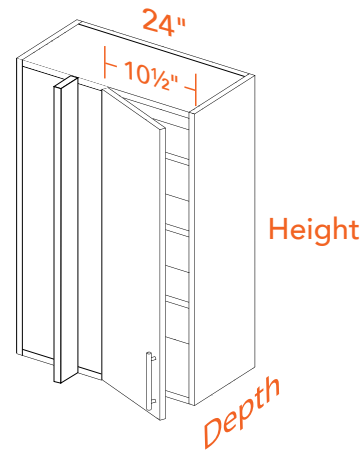
SPECIFY RIGHT OR LEFT HINGED

Item Number	Width	Depth	Height
W240942IB	24	9	42
W2442IB	24	12	42
W241542IB	24	15	42
W270942IB	27	9	42
W2742IB	27	12	42
W271542IB	27	15	42
W300942IB	30	9	42
W3042IB	30	12	42
W301542IB	30	15	42
W330942IB	33	9	42
W3342IB	33	12	42
W331542IB	33	15	42
W360942IB	36	9	42
W3642IB	36	12	42
W361542IB	36	15	42

FEATURES

- 3 full depth adjustable shelves

WALL CABINETS



BLIND WALL CABINETS

SPECIFY RIGHT OR LEFT HINGED

Item Number	Width	Depth	Height
30" High			
WBCU270930LIB	24	9	30
WBCU270930RIB	24	9	30
WBCU2730LIB	24	12	30
WBCU2730RIB	24	12	30
WBCU271530LIB	24	15	30
WBCU271530RIB	24	15	30
36" High			
WBCU270936LIB	24	9	36
WBCU270936RIB	24	9	36
WBCU2736LIB	24	12	36
WBCU2736RIB	24	12	36
WBCU271536LIB	24	15	36
WBCU271536RIB	24	15	36
42" High			
WBCU270942LIB	24	9	42
WBCU270942RIB	24	9	42
WBCU2742LIB	24	12	42
WBCU2742RIB	24	12	42
WBCU271542LIB	24	15	42
WBCU271542RIB	24	15	42

FEATURES

- 30" height 2 reduced depth adjustable shelves
- 36" and 42" height 3 reduced depth adjustable shelves

BLIND WALL TIP

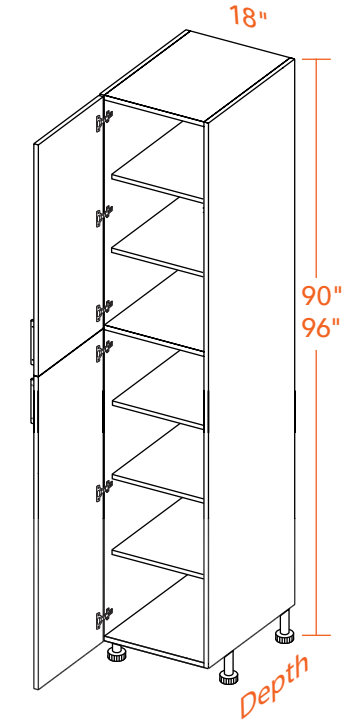
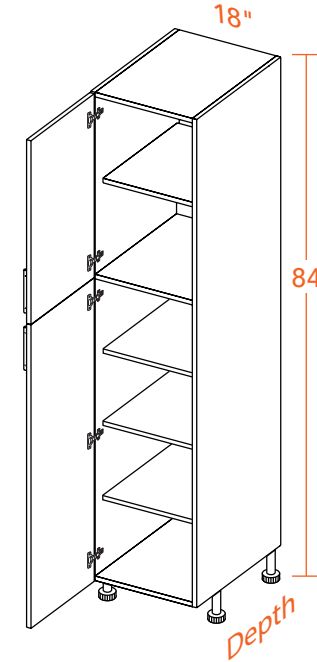
The Blind Wall cabinet is 24" wide. It must be installed from 3" to 9" away from the adjacent wall. This allows the door full clearance and provides a flexible installation range. From the adjacent wall to the far edge of the cabinet, a minimum width of 27" to a maximum width of 33" is required.



UTILITY CABINETS

Utility Cabinet Coding

U 18 18 84 L				
U	18	18	84	L
Cabinet Code	Width	Depth	Height	Left Hinge



UTILITY CABINET

SPECIFY RIGHT OR LEFT HINGED

Item Number	Width	Depth	Height
U181884L	18	18	84
U181884R	18	18	84
U182184L	18	21	84
U182184R	18	21	84
U1884L	18	24	84
U1884R	18	24	84

FEATURES

- 4 full depth adjustable shelves

UTILITY CABINET

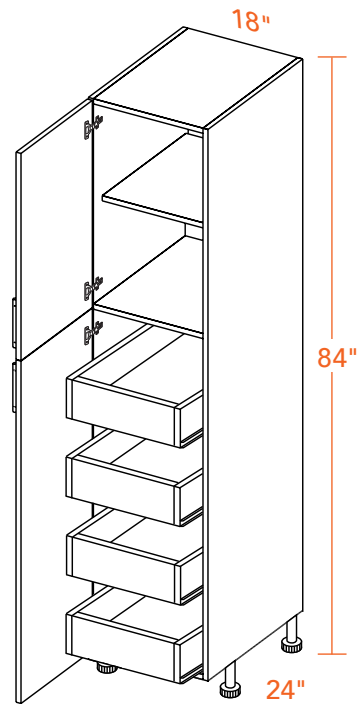
SPECIFY RIGHT OR LEFT HINGED

Item Number	Width	Depth	Height
90" High			
U181890L	18	18	90
U181890R	18	18	90
U182190L	18	21	90
U182190R	18	21	90
U1890L	18	24	90
U1890R	18	24	90
96" High			
U181896L	18	18	96
U181896R	18	18	96
U182196L	18	21	96
U182196R	18	21	96
U1896L	18	24	96
U1896R	18	24	96

FEATURES

- 5 full depth adjustable shelves

UTILITY CABINETS WITH ROLL OUT TRAYS



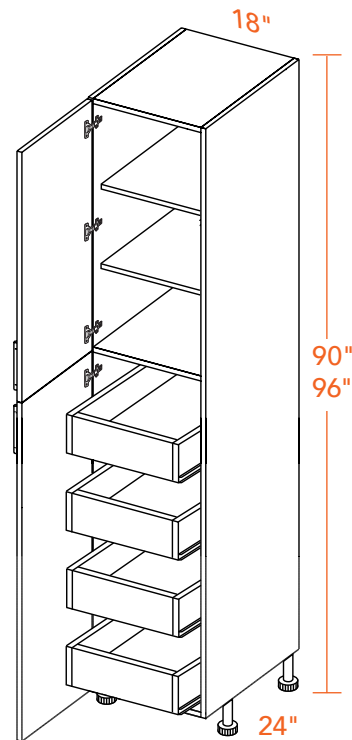
UTILITY CABINET

SPECIFY RIGHT OR LEFT HINGED

Item Number	Width	Depth	Height
U1884L-4T	18	24	84
U1884R-4T	18	24	84

FEATURES

- 1 full depth adjustable shelves and 4 roll-out trays
- Roll-out trays feature soft close, side mounted, ball bearing 316 stainless steel drawer glides
- Roll-out Tray is 3/4" All-Weatherboard® composite material construction, sides and bottom panel



UTILITY CABINET

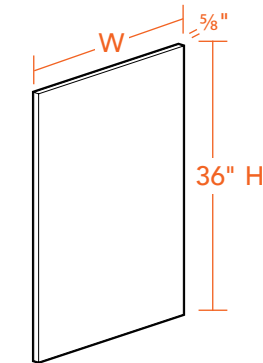
SPECIFY RIGHT OR LEFT HINGED

Item Number	Width	Depth	Height
90" High			
U1890L-4T	18	24	90
U1890R-4T	18	24	90
96" High			
U1896L-4T	18	24	96
U1896R-4T	18	24	96

FEATURES

- 2 full depth adjustable shelves and 4 roll-out trays
- Roll-out trays feature soft close, side mounted, ball bearing 316 stainless steel drawer glides
- Roll-out Tray is 3/4" All-Weatherboard® composite material construction, sides and bottom panel

MATCHING PANELS



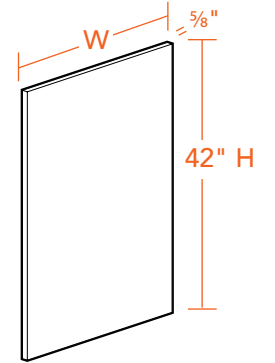
18 7/8" W, 21 7/8" W, 24 7/8" W, 27 7/8" W, 30" W

MATCHING BASE END PANEL

FEATURES

- Panels designed to be flush with door. Field trim for desired size.
- Use to cover cabinet sides that are exposed to sunlight and other weather elements.

BEP18
BEP21
BEP24
BEP27
BEP30



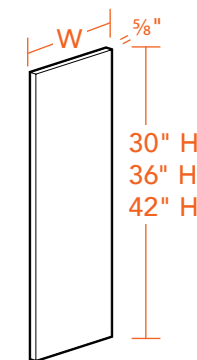
23 1/2" W, 26 1/2" W, 29 1/2" W, 32 1/2" W, 35 1/2" W

MATCHING BASE TALL END PANEL

FEATURES

- Panels designed to be flush with door. Field trim for desired size.
- Use to cover cabinet sides that are exposed to sunlight and other weather elements.

BTP23
BTP26
BTP29
BTP32
BTP35



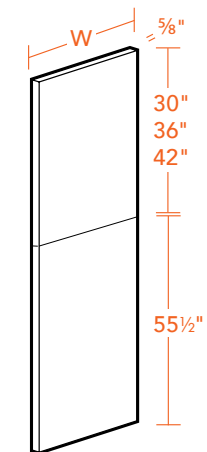
9 7/8" W, 12 7/8" W, 15 7/8" W

MATCHING WALL END PANELS

FEATURES

- Panels designed to be flush with doors. Field trim for desired size.
- Use to cover cabinet sides that are exposed to sunlight and other weather elements.

WEP0930A
WEP0936A
WEP0942A
WEP1230A
WEP1236A
WEP1242A
WEP1530A
WEP1536A
WEP1542A



18 7/8" W, 21 7/8" W, 24 7/8" W

MATCHING TALL END PANEL

FEATURES

- Panels designed to be flush with door. Field trim for desired size.
- Two separate panels included.
- Use to cover cabinet sides that are exposed to sunlight and other weather elements.

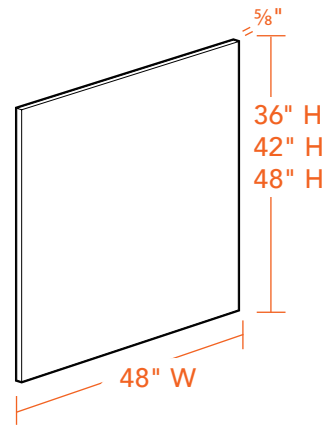
TEP1885
TEP1891
TEP1897
TEP2185
TEP2191
TEP2197
TEP2485
TEP2491
TEP2497

PARTS & ACCESSORIES

ISLAND PANEL

FEATURES

- Panels designed to be flush with door. Field trim for desired size.
- Use to cover cabinet backs that are exposed to sunlight and other weather elements.

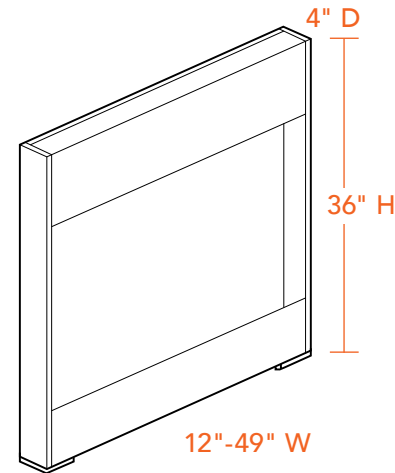


IPL4836
IPL4842
IPL4848

BAR RISER KITS

FEATURES

- 3/4" All-Weatherboard® composite material cabinet construction
- 4" deep by 36" high
- Requires BTP for field installation to match the cabinet doors

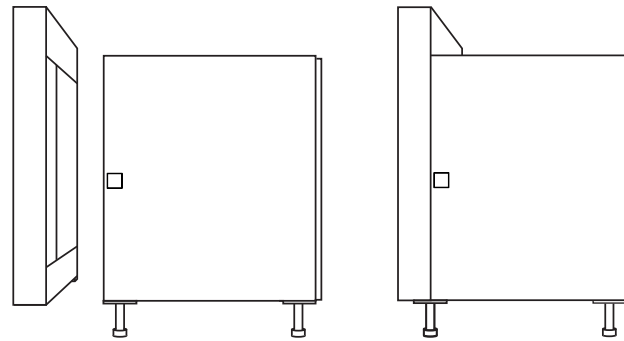


BRK12
BRK15
BRK18
BRK21
BRK24
BRK27
BRK30
BRK33
BRK36
BRK39
BRK42
BRK45
BRK46
BRK47
BRK48
BRK49

REPLACEMENT GRILL APRON FRONT

*MATCHES DOOR COLOR

Description	Item Number
Replacement Grill Drawer Front 14.9X11.9	RPGDF1512
Replacement Grill Drawer Front 17.9X11.9	RPGDF1812
Replacement Grill Drawer Front 20.9X11.9	RPGDF2112
Replacement Grill Drawer Front 23.9X11.9	RPGDF2412
Replacement Grill Drawer Front 29.9X11.9	RPGDF3012
Replacement Grill Drawer Front 35.9X11.9	RPGDF3612
Replacement Grill Drawer Front 41.9X11.9	RPGDF4212
Replacement Grill Drawer Front 47.9X11.9	RPGDF4812
Replacement Grill Drawer Front 59.9X11.9	RPGDF6012
Replacement Grill Drawer Front 47.9X17.9	RPGDF4818



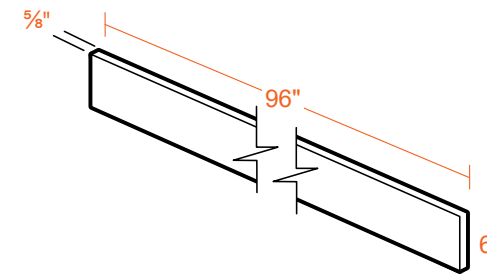
PARTS & ACCESSORIES

8' FINISHED TOE KICK – MATCHES DOOR COLOR

FEATURES

- Available in all finishes
- Will need to be cut to fit on the job site
- Toe kick clips will need to be added to allow attachment to the legs when needed

96" Wide
FS696A



3" WIDE FILLERS

FEATURES

- Available in all finishes

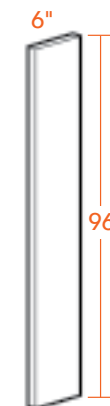


30" Tall
FS330A
36" Tall
FS336A
42" Tall
FS342A
84" Tall
FS384A
90" Tall
FS390A
96" Tall
FS396A

6" WIDE FILLER/TOE KICK

FEATURES

- Available in all finishes



30" Tall
FS630A
36" Tall
FS636A
42" Tall
FS642A
96" Tall
FS696A

PLEASE NOTE

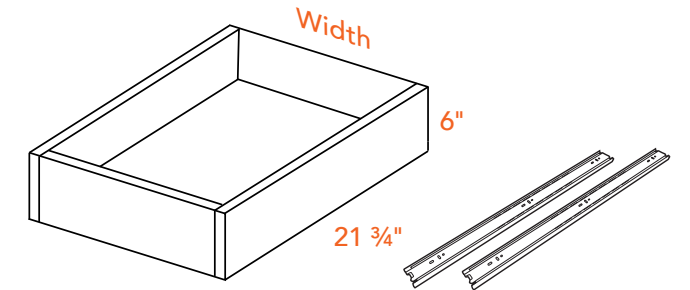
6"X96" FILLER CAN ALSO BE MODIFIED ON SITE TO BE USED AS A MATCHING TOE KICK ONCE CABINETS ARE INSTALLED ON LEGS

ROLL-OUT TRAY

FEATURES

- 3/4" All-Weatherboard® composite material construction, 4-sides and bottom panel
- Soft close, side mounted, ball bearing 316 stainless steel runners and screws
- ROT12 fits 12" wide cabinet, etc.
- Field installed

ROT12
ROT15
ROT18
ROT21
ROT24
ROT27
ROT30
ROT33
ROT36



DESIGN TIP

Panels will ship oversized in height. Thus allowing the panel to be trimmed to fit the pitch or slope of your space when going to the floor.

Panels can be used for more than just covering the sides of your cabinets.

- Use them to create open shelving in a base run.
- Use them to create a corner when coming off of a wall.
- Need to create a dead space behind a cabinet for plumbing or electrical? Use a wall cabinet and then cover the sides with a deeper panel.
- Remember if you have a shallow cabinet next to a deeper cabinet - make sure to cover the sides of the deeper cabinet so the side will match the color of your door!
- Panels can be cut to fit most any unique situation. Please keep in mind the heat clearance needed when doing this, however they can help create a unique space in your outdoor kitchen.
- If you need a taller toe kick due to the degree of your pitch or slope you can use a panel and cut to fit the height needed.

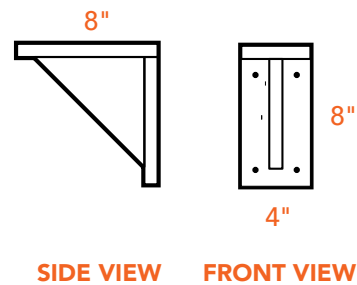
PARTS & ACCESSORIES

CORBEL/COUNTERTOP SUPPORT

FEATURES

- Available in all finishes
- Requires stainless steel installation screws, sold separately

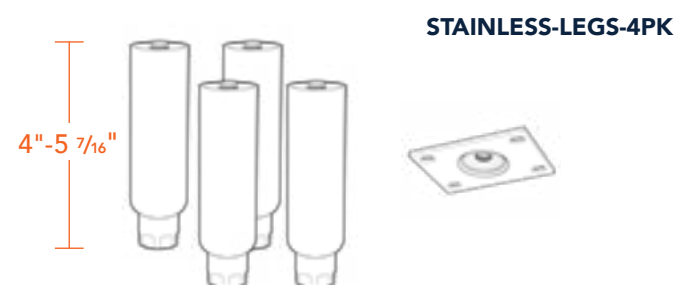
CBL8



STAINLESS STEEL LEGS

FEATURES

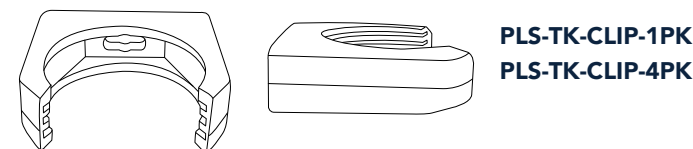
- Includes 4 316 stainless steel legs, 4 mounting plates, and 316 stainless steel screws
- Height adjustment from 4" to 5 7/16"
- Each leg rated for 2,000lb static load



STAINLESS STEEL LEG CLIP

FEATURES

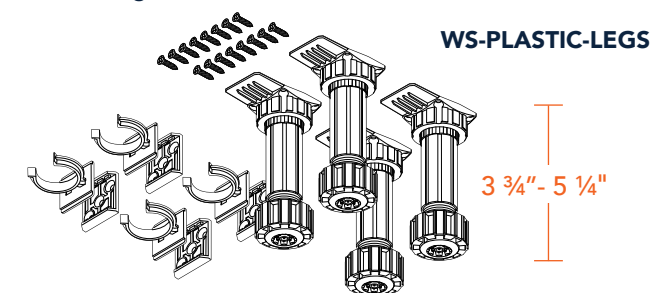
- Durable U-Shaped clip for attaching toe kick to stainless steel legs.
- Includes Clip and screw
- Available in Single pack or pack of four
- See install guide on page 45 for installation instructions



SURE LEVEL LEGS (4 PACK)

FEATURES

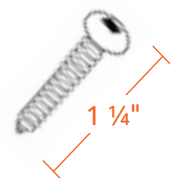
- Includes 4 adjustable legs, 4 mounting plates, 4 toe kick clips and 316 stainless steel screws
- Height adjustment from 3 3/4" to 5 1/4"
- Each leg rated for 330lb static load



1 1/4" 316 STAINLESS STEEL CABINET JOINING SCREWS (30 PACK)

FEATURES

- Square Head Bit included
- Used for joining cabinets together and for installing Matching Panels and Corbels
- Required for installation
- Screws sold separately
- Please see page 47 for installation guide.



30 Pack
WSSS1.25-SCREW KIT

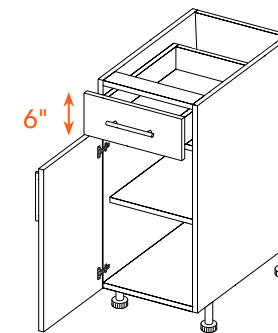
CABINET TYPE	QTY.	LOCATION
Bases	2	Front Edge
Island Base	4	Front & Back Edges
Bar Base	4	Front & Back Edges
Walls up to 30" H	2	Front Edge
Walls 36 & 42" H	3	Front Edge

DRAWER FRONT & DRAWER BOX DIMENSIONS

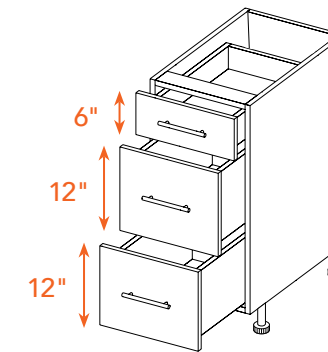
BASE CABINETS WITH DRAWERS

Cabinet Code	Shallow Drawer 6" High Fronts	Medium 8" High Fronts	Deep Drawer 12" High Fronts
B	1	0	0
B3D	1	0	2
B4D	1	3	0

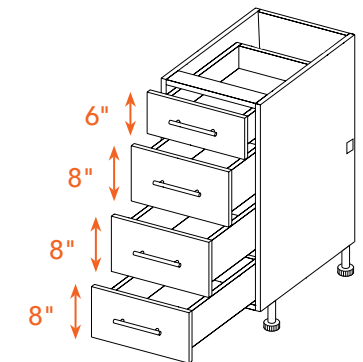
B Base Door & Drawer



B3D 3-Drawer Base



B4D 4-Drawer Base



BASE CABINETS WITH DRAWERS

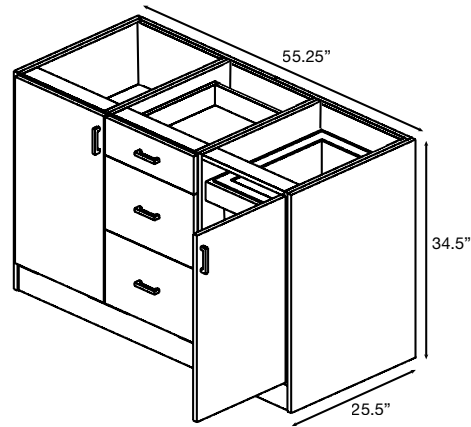
Cabinet	Shallow Drawer			Medium			Deep Drawer		
	Height	Depth	Width	Height	Depth	Width	Height	Depth	Width
B12, B12-1T, B12-2T, B1227, B1227-1T, B1227-2T, B3D12, B3D1227, B4D12, B4D1227	3-3/4"	20-1/4"	8"	5-1/4"	20-1/4"	8"	7-1/4"	20-1/4"	8"
B15, B15-1T, B15-2T, B1527, B1527-1T, B1527-2T, B3D15, B3D1527, B4D15, B4D1527	3-3/4"	20-1/4"	11"	5-1/4"	20-1/4"	11"	7-1/4"	20-1/4"	11"
B18, B18-1T, B18-2T, B1827, B1827-1T, B1827-2T, B3D18, B3D1827, B4D18, B4D1827	3-3/4"	20-1/4"	14"	5-1/4"	20-1/4"	14"	7-1/4"	20-1/4"	14"
B21, B21-1T, B21-2T, B2127, B2127-1T, B2127-2T, B3D21, B3D2127, B4D21, B4D2127	3-3/4"	20-1/4"	17"	5-1/4"	20-1/4"	17"	7-1/4"	20-1/4"	17"
B24, B24-1T, B24-2T, B2427, B2427-1T, B2427-2T, B3D24, B3D2427, B4D24, B4D2427	3-3/4"	20-1/4"	20"	5-1/4"	20-1/4"	20"	7-1/4"	20-1/4"	20"
B27, B27-1T, B27-2T, B2727, B2727-1T, B2727-2T, B3D27, B3D2727, B4D27, B4D2727	3-3/4"	20-1/4"	23"	5-1/4"	20-1/4"	23"	7-1/4"	20-1/4"	23"
B30, B30-1T, B30-2T, B3027, B3027-1T, B3027-2T, B3D30, B3D3027, B4D30, B4D3027	3-3/4"	20-1/4"	26"	5-1/4"	20-1/4"	26"	7-1/4"	20-1/4"	26"
B33, B33-1T, B33-2T, B3327, B3327-1T, B3327-2T, B3D33, B3D3327, B4D33, B4D3327	3-3/4"	20-1/4"	29"	5-1/4"	20-1/4"	29"	7-1/4"	20-1/4"	29"
B36, B36-1T, B36-2T, B3627, B3627-1T, B3627-2T, B3D36, B3D3627, B4D36, B4D3627	3-3/4"	20-1/4"	30"	5-1/4"	20-1/4"	30"	7-1/4"	20-1/4"	30"

ENSEMBLES

FREESTANDING GRILL ISLAND V2 WITH TRASH

WSE54WC

Qty	Item Number	Description
2	BEP24	24-7/8" x 36" Base End Panel
2	BEP27	27-7/8" x 36" Base End Panel (for back)
1	B18FHLIB	18" x 24" Base Full Hgt
1	B3D18IB	18" x 24" 3-Drawer Base
1	B18FHRIB-TC	18" x 24" Base Trash Pullout
5	DH-21021	7-9/32" 316 stainless steel Euro Bar Pull
1	FS696A	6" x 96" Toe Kick/Filler
1	WSSS1.25-Screw Kit	1-1/4" 316 stainless steel Screws - 30 Pk

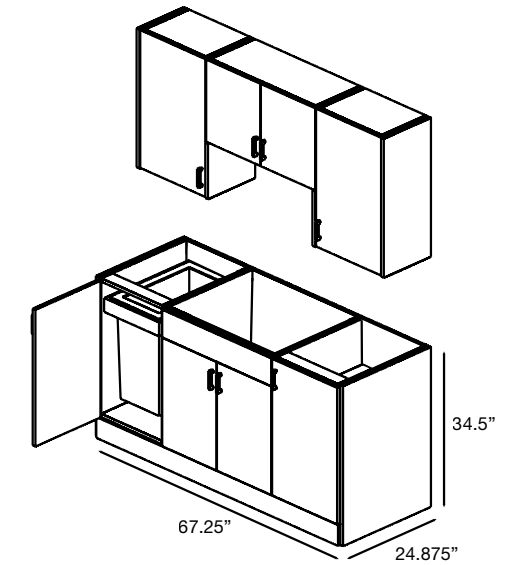


ENSEMBLES

66" UNIT WITH SINK CAB, TRASH, & WALL CABS

WSE66WMK

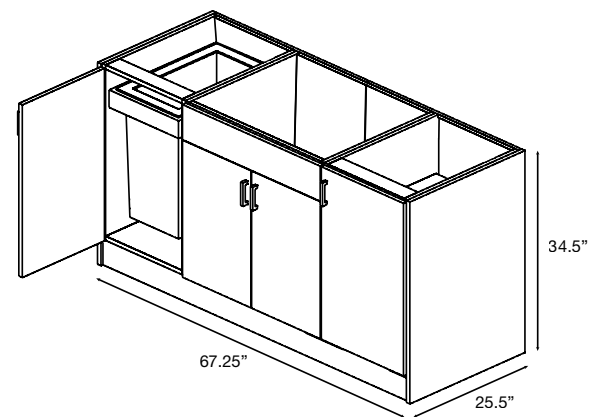
Qty	Item Number	Description
2	BEP24	24-7/8" x 36" Base End Panel
1	B18FHLIB-TC	18" x 24" Base Trash Pullout
1	SB30IB	30" x 24" Sink Base
1	B18FHRIB	18" x 24" Base Full Hgt
4	WEP1230A	12-7/8" x 30" Wall End Panel
1	W1830LIB	18" x 30" Wall
1	W3018IB	30" x 18" Wall
1	W1830RIB	18" x 30" Wall
8	DH-21021	7-9/32" 316 stainless steel Euro Bar Pull
1	FS696A	6" x 96" Toe Kick/Filler
1	WSSS1.25-Screw Kit	1-1/4" 316 stainless steel Screws - 30 Pk



66" SINK ISLAND WITH TRASH

WSE66SB

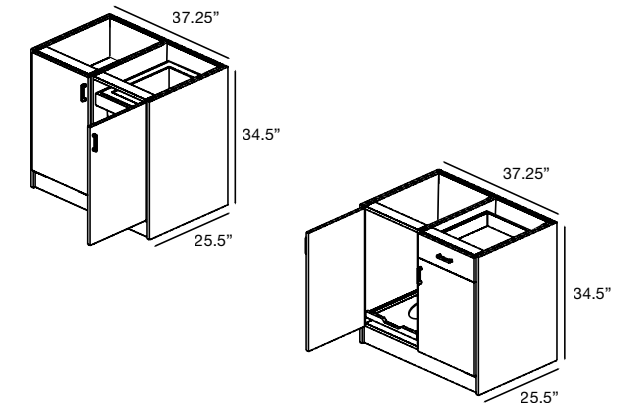
Qty	Item Number	Description
2	BEP24	24-7/8" x 36" Base End Panel
2	IPL4836	48" x 36" Island Panel (for back)
1	B18FHLIB-TC	18" x 24" Base Trash Pullout
1	SB30IB	30" x 24" Sink Base
1	B18FHRIB	18" x 24" Base Full Hgt
4	DH-21021	7-9/32" 316 stainless steel Euro Bar Pull
1	FS696A	6" x 96" Toe Kick/Filler
1	WSSS1.25-Screw Kit	1-1/4" 316 stainless steel Screws - 30 Pk



FREESTANDING GRILL ISLAND V1 WITH TRASH

WSE72WC

Qty	Item Number	Description
4	BEP24	24-7/8" x 36" Base End Panel
2	IPL4836	48" x 36" Island Panel (for backs)
1	B18FHLIB	18" x 24" Base Full Hgt
1	B18FHRIB-TC	18" x 24" Base Trash Pullout
1	B18FHLIB-PP	18" x 24" Base Propane Pullout
1	B18FHRIB	18" x 24" Base Full Hgt
4	DH-21021	7-9/32" 316 stainless steel Euro Bar Pull
1	FS696A	6" x 96" Toe Kick/Filler
1	WSSS1.25-Screw Kit	1-1/4" 316 stainless steel Screws - 30 Pk

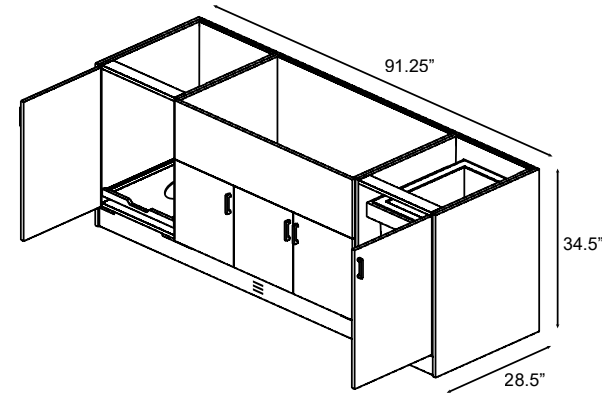


ENSEMBLES

90" ISLAND WITH GRILL CAB & ACCESSORY CABS

WSE90I

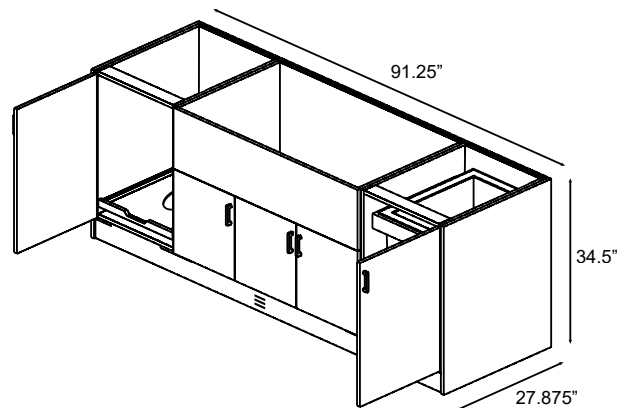
Qty	Item Number	Description
1	B2127FHLIB-PP	21" x 27" Base Propane Pullout
1	GB48IB	48" x 27" Grill Base
1	B2127FHRIB-TC	21" x 27" Base Trash Pullout
2	BEP27	27-7/8" x 36" Base End Panel
2	IPL4836	48" x 36" Island Panel (for back)
5	DH-21021	7-9/32" 316 stainless steel Euro Bar Pull
1	FS696A	6" x 96" Toe Kick/Filler
1	WSSS1.25-Screw Kit	1-1/4" 316 stainless steel Screws - 30 Pk



90" WITH GRILL CAB & ACCESSORY CABS

WSE90WM

Qty	Item Number	Description
1	B2127FHLIB-PP	21" x 27" Base Propane Pullout
1	GB48IB	48" x 27" Grill Base
1	B2127FHRIB-TC	21" x 27" Base Trash Pullout
2	BEP27	27-7/8" x 36" Base End Panel
5	DH-21021	7-9/32" 316 stainless steel Euro Bar Pull
1	FS696A	6" x 96" Toe Kick/Filler
1	WSSS1.25-Screw Kit	1-1/4" 316 stainless steel Screws - 30 Pk

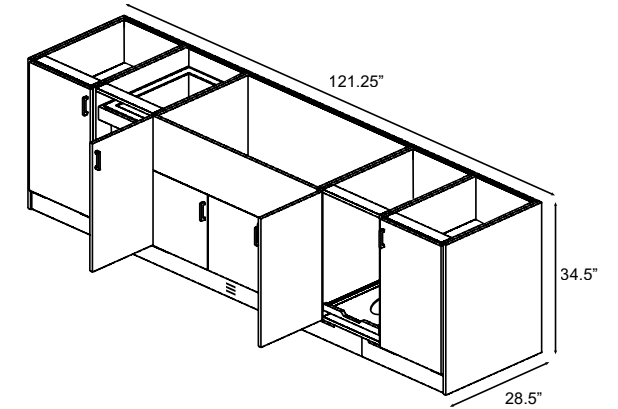


ENSEMBLES

120" ISLAND WITH GRILL CAB & ACCESSORY CABS

WSE120I

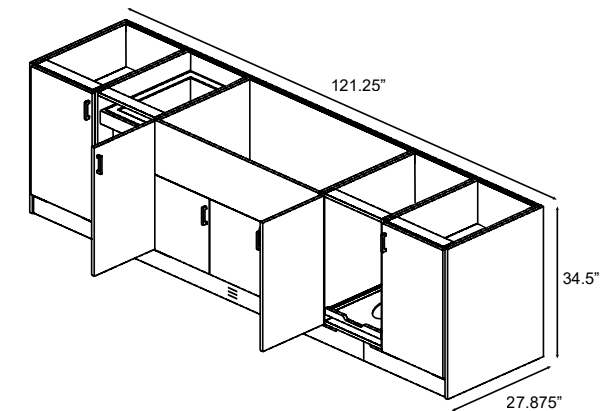
Qty	Item Number	Description
2	BEP27	24-7/8" x 36" Base End Panel
3	IPL4836	48" x 36" Island Panel (for back)
1	B1827FHLIB	18" x 27" Base Full Hgt
1	B1827FHRIB-TC	18" x 27" Base Trash Pullout
1	GB48IB	48" x 27" Grill Base
1	B1827FHLIB-PP	18" x 27" Base Propane Pullout
1	B1827FHRIB	18" x 27" Base Full Hgt
7	DH-21021	7-9/32" 316 stainless steel Euro Bar Pull
2	FS696A	6" x 96" Toe Kick/Filler
1	WSSS1.25-Screw Kit	1-1/4" 316 stainless steel Screws - 30 Pk



120" WITH GRILL CAB & ACCESSORY CABS

WSE120WM

Qty	Item Number	Description
2	BEP27	24-7/8" x 36" Base End Panel
1	B1827FHLIB	18" x 27" Base Full Hgt
1	B1827FHRIB-TC	18" x 27" Base Trash Pullout
1	GB48IB	48" x 27" Grill Base
1	B1827FHLIB-PP	18" x 27" Base Propane Pullout
1	B1827FHRIB	18" x 27" Base Full Hgt
7	DH-21021	7-9/32" 316 stainless steel Euro Bar Pull
2	FS696A	6" x 96" Toe Kick/Filler
1	WSSS1.25-Screw Kit	1-1/4" 316 stainless steel Screws - 30 Pk



DECORATIVE HARDWARE

CONTOURED POLISHED C-PULL

FEATURES

- 316 Stainless steel handle with screws
- 4 1/4" overall length
- 3 15/16" center to center

DH-00171



EURO BAR PULL

FEATURES

- 316 Stainless steel handle with screws
- 7 9/32" overall length
- 5 1/32" center to center

DH-21021



WIDE BRUSHED C-PULL

FEATURES

- 316 Stainless steel handle with screws
- 4 1/16" overall length
- 3 3/4" center to center

DH-45170



PROFESSIONAL BAR PULL

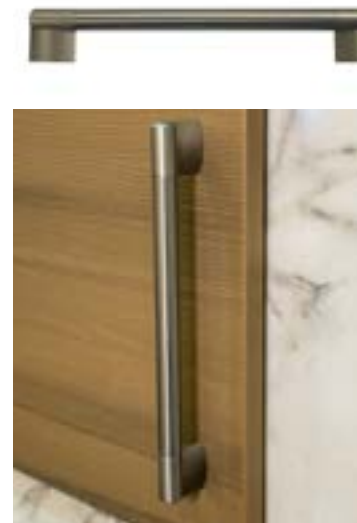
FEATURES

- 316 Stainless steel handle with screws
- 8 3/4" overall length
- 7 1/2" center to center

DH-92170

Please make sure to check the width of your drawer front. The handle fits drawer fronts of 18" wide or more.

Fits all Miami drawer fronts

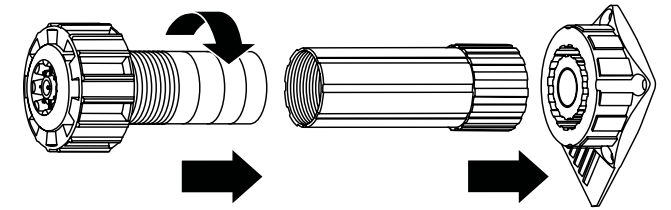


LEVELING LEG INSTALLATION - PLASTIC LEGS

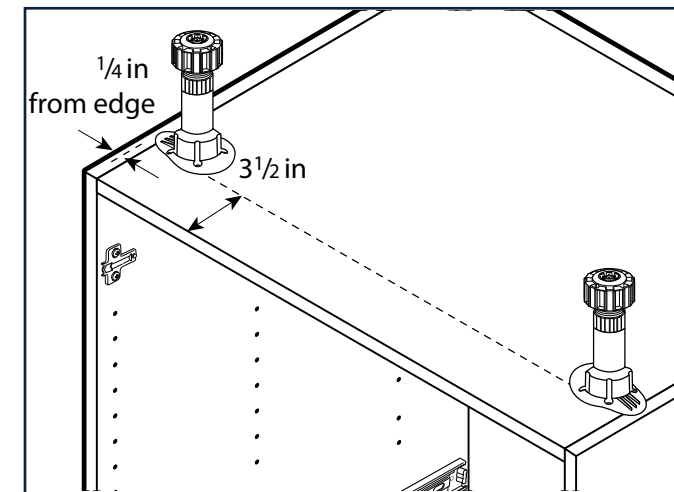
LEVELING LEG ASSEMBLY

Simple assembly is required for each Leveling Leg

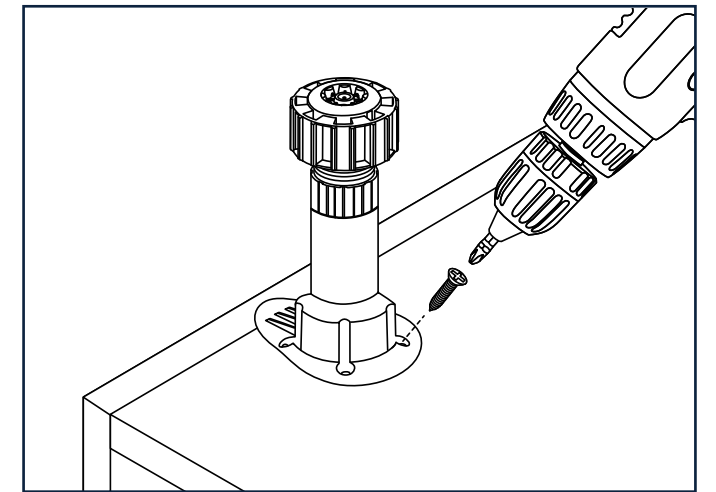
For easier handling and to avoid damage remove doors and drawers from the cabinet. Then, using two or more people, place the cabinet upside down on a protected surface.



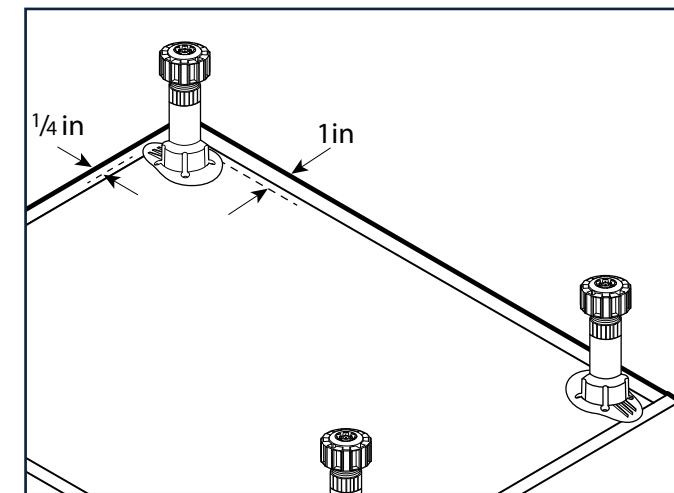
1. Place the 2 front leg brackets 3-1/2" from the front edge with the support plate overlapping the end panel - 1/4" from the outer edge.



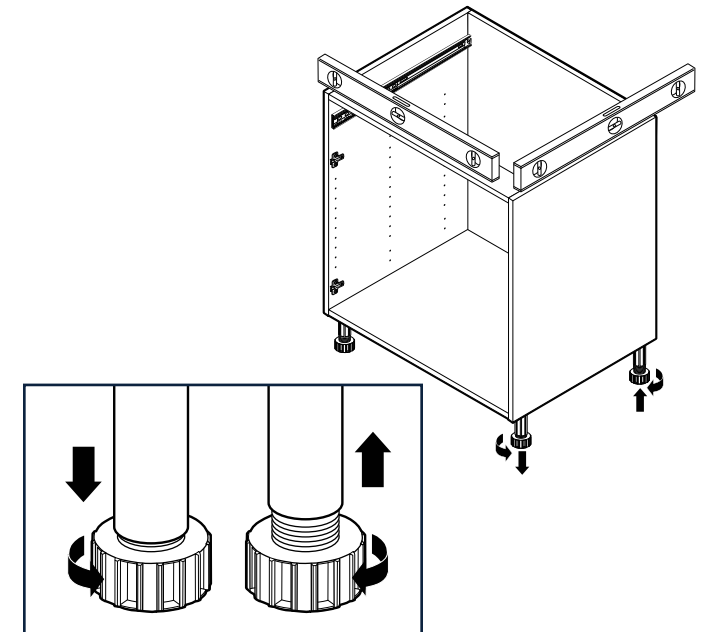
3. Use a Phillips bit to attach the legs with the stainless steel screws supplied. DO NOT OVERTIGHTEN!



2. Place the 2 back leg brackets 1" from the back edge with the support plate overlapping the end panel - 1/4" from the outer edge.

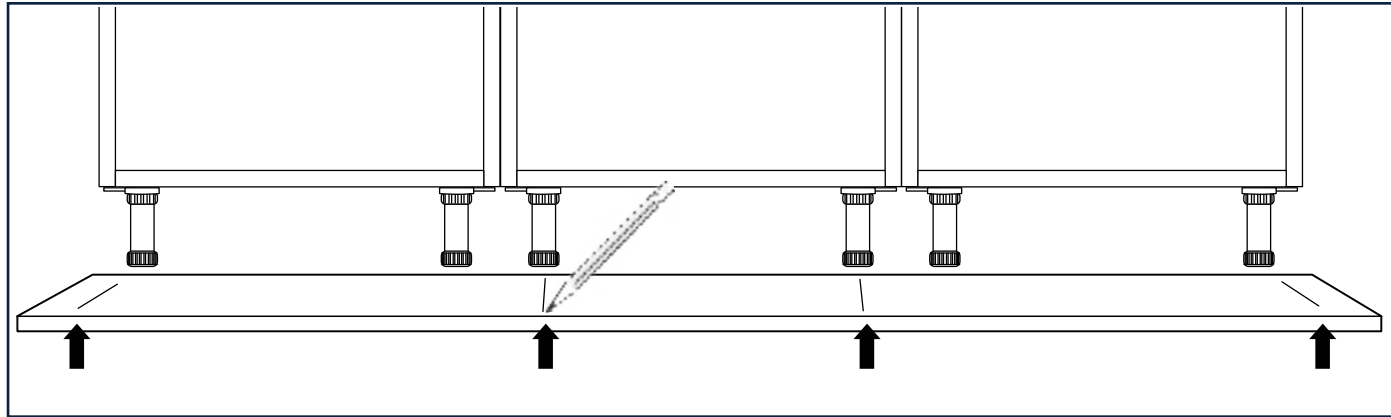


4. Adjust the leveling legs up or down to bring the cabinet to a level plumb position.

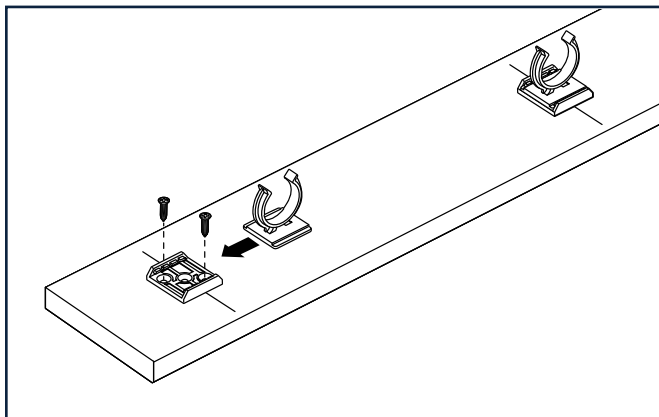


TOE KICK APPLICATION

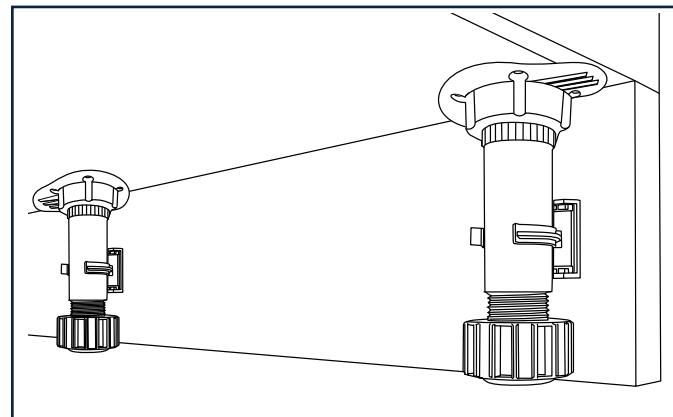
1. Lay the trimmed Toe Kick panel in front of the cabinet against the Leveling Legs. Mark the location of each Leg on the back of the panel. Clips are not needed on all Leg locations, but enough for a secure hold



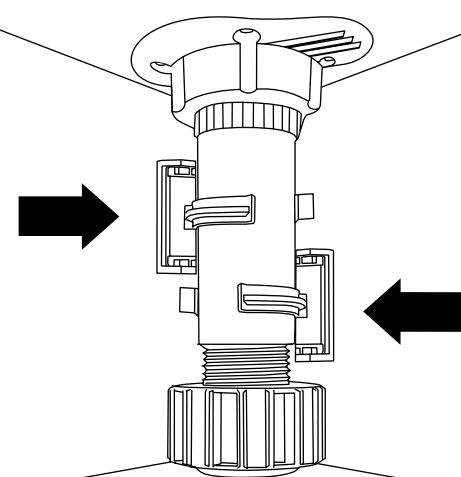
2. Center the Clip Plates half way up the height of the panel, screw into place. Then slide a Clip into each Plate.



3. Align the Panel and push the clips onto the Legs



If applying Toe Kick around corners, adjacent panels will clip to the same corner Leg.
Be sure to stagger the Clip Plate heights so they overlay properly

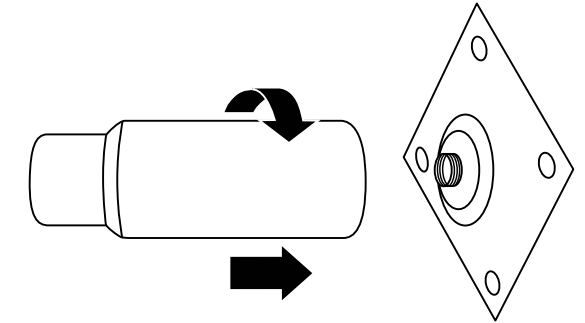


LEVELING LEG INSTALLATION - STAINLESS LEGS

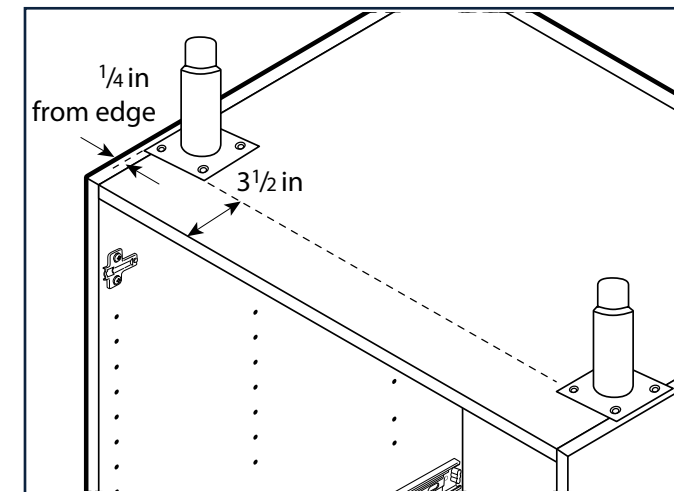
STAINLESS STEEL LEVELING LEG ASSEMBLY

Simple assembly is required for each Leveling Leg

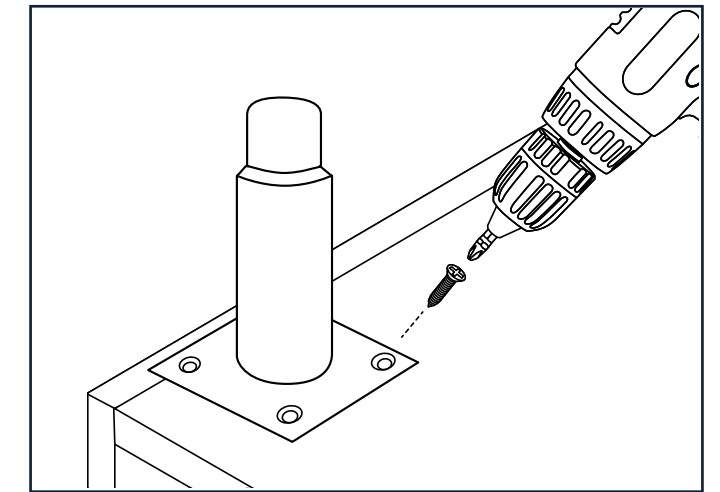
For easier handling and to avoid damage remove doors and drawers from the cabinet. Then, using two or more people, place the cabinet upside down on a protected surface.



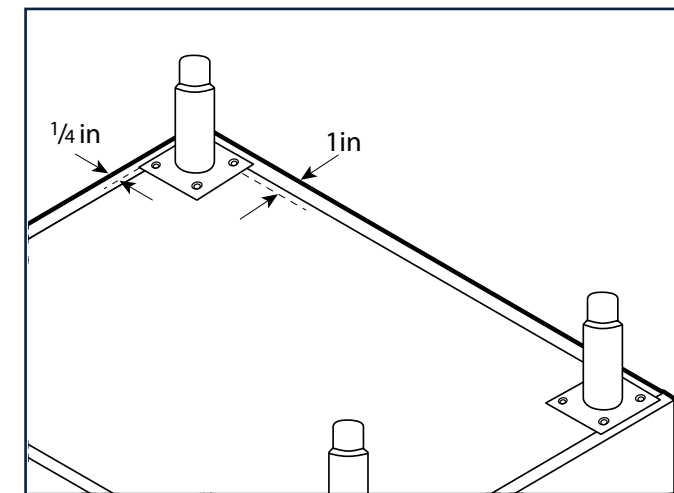
1. Place the 2 front leg brackets 3-1/2" from the front edge with the support plate overlapping the end panel - 1/4" from the outer edge.



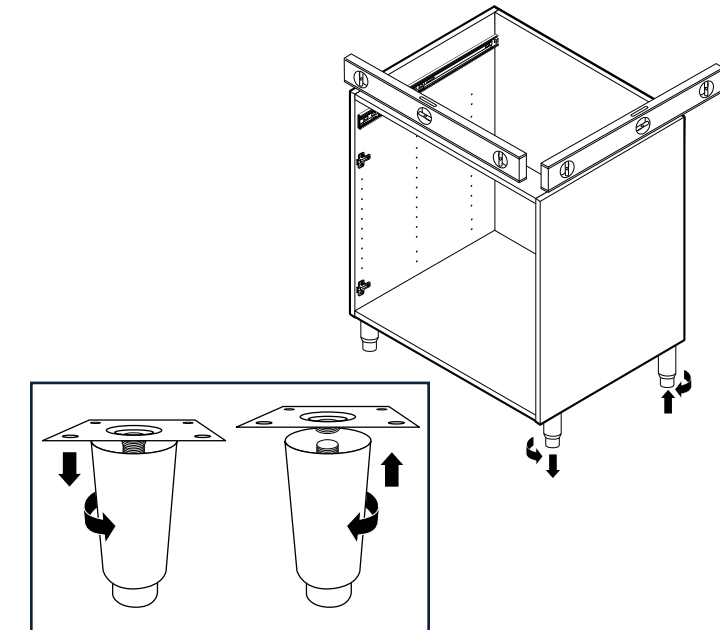
3. Use a Phillips bit to attach the legs with the stainless steel screws supplied. DO NOT OVERTIGHTEN!



2. Place the 2 back leg brackets 1" from the back edge with the support plate overlapping the end panel - 1/4" from the outer edge.

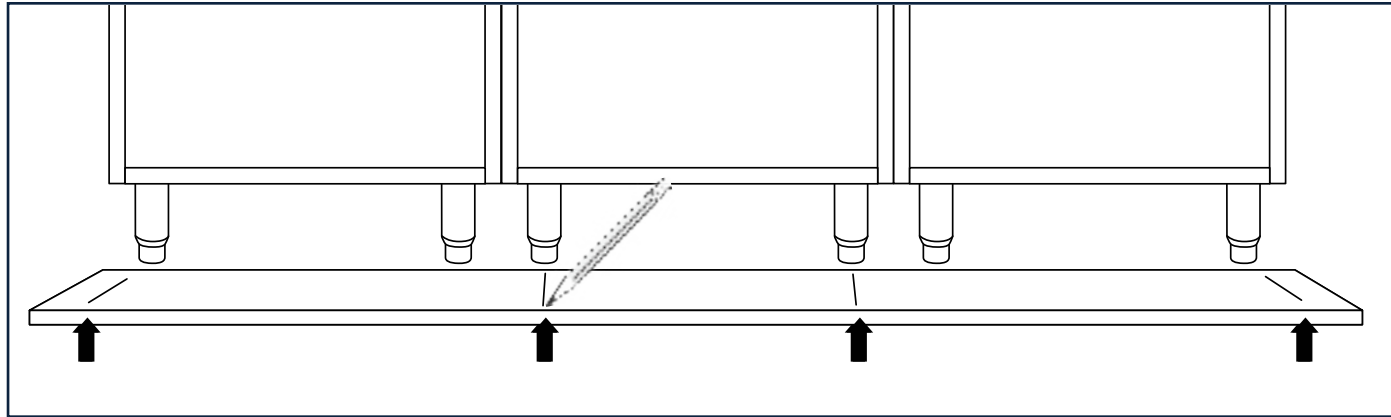


4. Adjust the leveling legs up or down to bring the cabinet to a level plumb position.

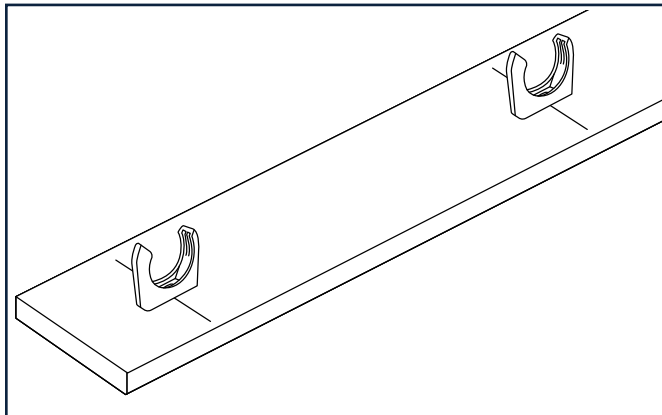


TOE KICK APPLICATION

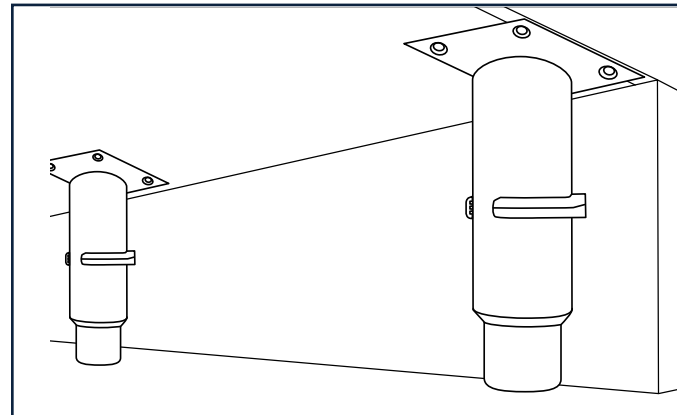
1. Lay the trimmed Toe Kick panel in front of the cabinet against the Leveling Legs. Mark the location of each Leg on the back of the panel. Clips are not needed on all Leg locations, but enough for a secure hold



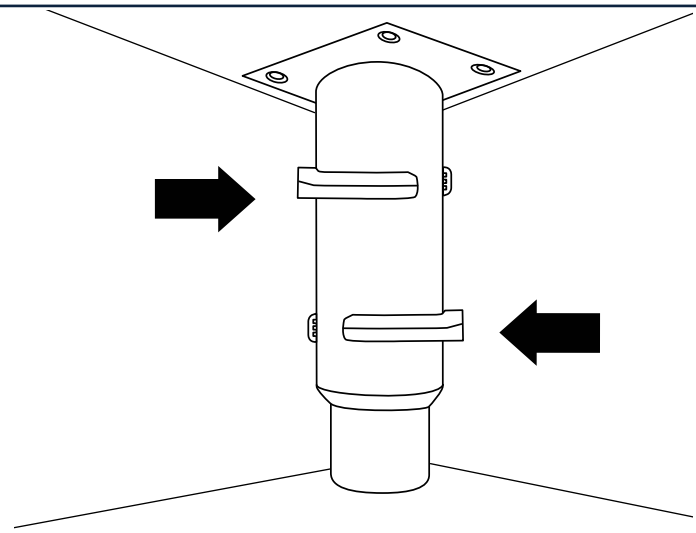
2. Center the clips half way up the height of the toe kick panel, screw into place. Then screw the clip directly onto the toe kick panel.



3. Align the Panel and push the clips onto the Legs



If applying Toe Kick around corners, adjacent panels will clip to the same corner Leg.
Be sure to stagger the Clip Plate heights so they overlay properly



INSTALLATION GUIDE

REQUIRED TOOLS

- Level
- Plastic Shims (for leveling if necessary)
- Drill
- Tapcon 3/16" x 2-3/4" Stainless Steel Screws
- 1/4" Stainless Steel Washers
- Tapcon 3/16" Drill Bit (pilot holes in concrete - typically is provided with screws)
- 3/16" Wood Drill Bit (pilot holes in cabinet backs or installation rails)
- 1/8" Wood Drill Bit (pilot holes in cabinets sides to join them together)
- Phillips Head Screwdriver
- Clamps (with rubber pads)
- Saw (circular or table) – to trim matching end panels and toe kick fillers
- Carpenter's Square
- Tape Measure
- Extension Cord
- Step Ladder (at least 6' if installing wall cabinets)

BEFORE YOU BEGIN:

Check your new cabinetry against your design plan to ensure that you have all required cabinets, moldings, fillers, and accessories to complete the installation.

SAFETY FIRST:

To avoid injury, explosion, or shock, make sure that all water supplies, gas supplies, and pertinent circuit breakers are shut off. Double check electrical using circuit tester to confirm power is off. If you are uncertain that utilities have been properly shut off, consult your utility company or service professional.

CAUTION:

It is essential that you use the recommended screws for your cabinetry installation. Under no circumstances, should you use nails or drywall screws as they do not have the strength or holding power to ensure that cabinets stay on the wall. Failure to use specified screws will render warranty null and void.

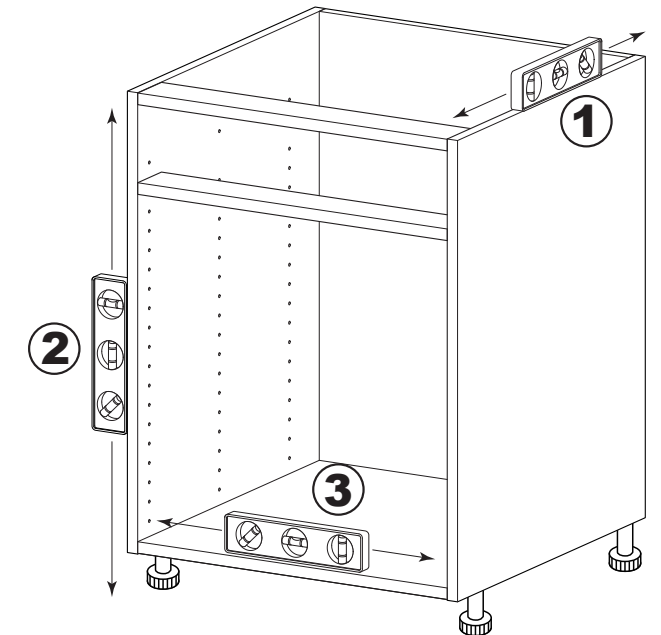
Installation detailed in this manual is for concrete block construction only. Attachment to any other wall types, will require locating the wood or steel studs behind the wall. Consult with your local home center, hardware store or installation specialist for recommended fasteners.

LEVELING THE CABINETS

Leveling the cabinets is the most important part of installation, to ensure doors align properly and countertop sets evenly. They are to be level and square. Make sure your leveling legs are installed and adjusted. Review separate leveling leg instructions.

Be sure to level your cabinets in all three directions:

1. Front to Back
2. Vertically
3. Horizontally

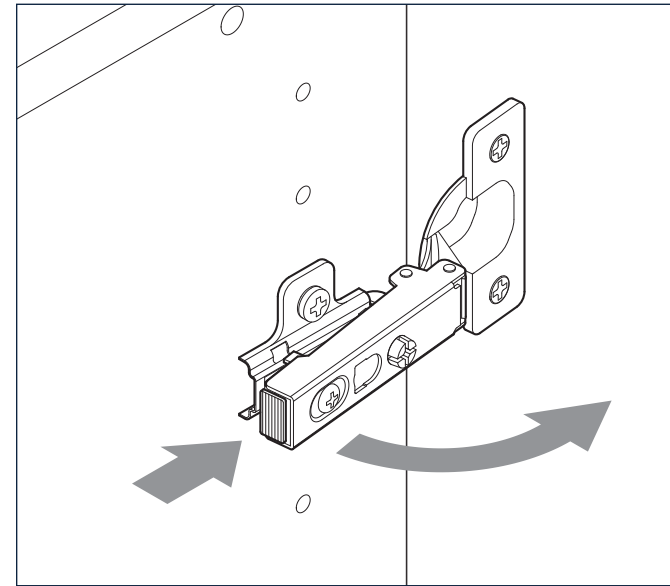


INSTALLATION GUIDE

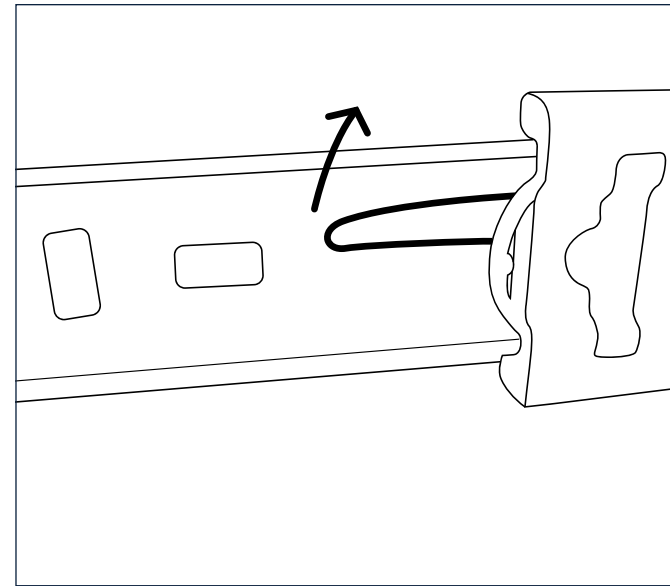
ANCHORING TO CONCRETE BLOCK WALLS

Prior to installation you will find it easier to handle the cabinet with the doors and drawers removed.

Hinges can be removed from the hinge plate by simply pressing in the release button on the end of the hinge, and pulling away from the cabinet. They are re-attached by hooking the hinge to the plate and snapping the pressure release into place.



Pull the drawer out until it stops. Each drawer runner has a small plastic release tab. One tab will point up and the other will point down. Holding the drawer box on each side, push the tabs in the opposite direction from which they're pointing and carefully pull the drawer box out. Carefully push the runners back into the cabinet.

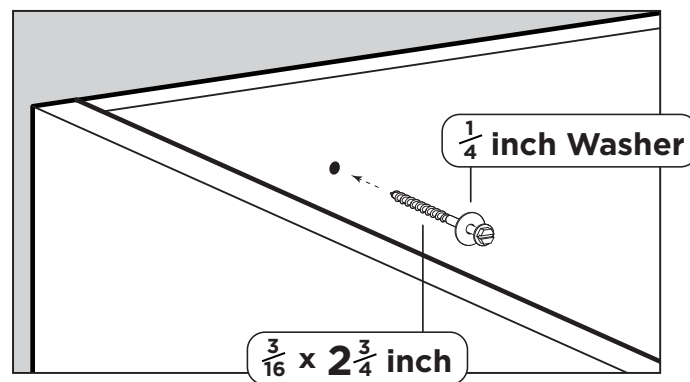
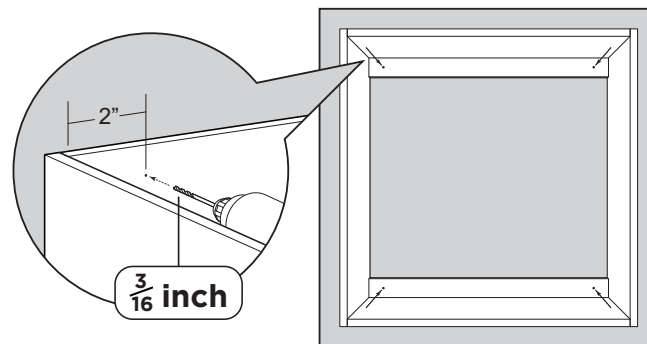


ANCHORING TO CONCRETE BLOCK WALLS

1. Each Wall Cabinet requires 4 wall anchors (2 top, 2 bottom)
2. Screws should be placed in each corner approximately 2" from the end panels.
3. Pre-drill the pilot holes before you place the cabinet against the wall, with a standard 3/16" drill bit.
4. Then put the cabinet in place. In each corner use the 3/16" Tapcon bit through the pilot holes to create

starter holes into the concrete block, for the Tapcon anchors.

5. Remove the cabinet to complete drilling the pilot holes into the concrete block. When complete, place the cabinet against the wall.
6. Once you confirm the cabinet is level and square, use Tapcon® 410 Stainless Steel 3/16" x 2-3/4" fasteners, with a 1/4 stainless steel washer to secure the cabinet to the wall.

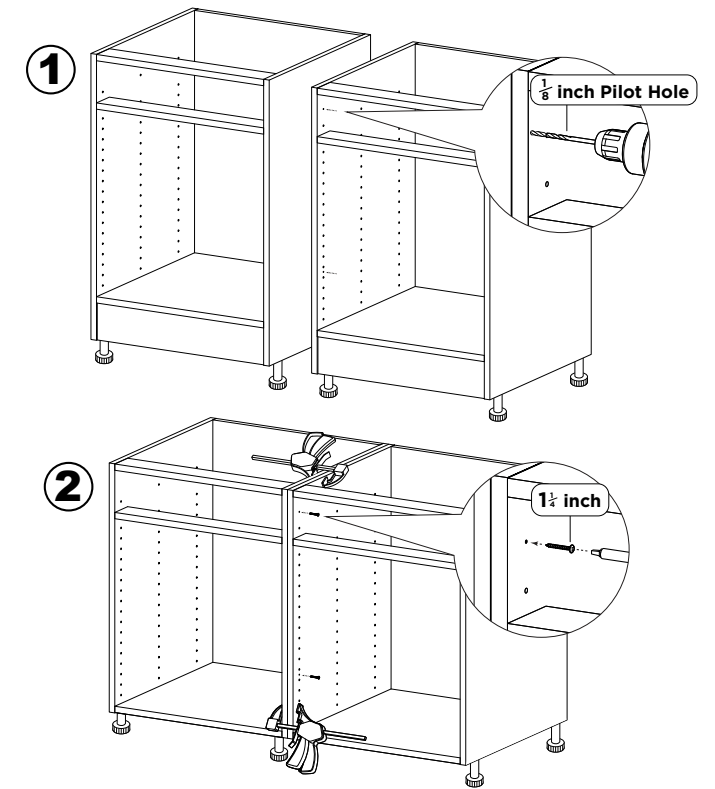


INSTALLATION GUIDE

FASTENING CABINETS TOGETHER

As you install your Base and Wall cabinets, you should fasten the cabinets together, along the front edge. This will help reduce gaps between cabinets and maintain alignment.

1. To secure cabinets together, a 1 1/4" stainless steel screw is used. (Model #WSSS1.25-Screw Kit) Pre-drill a 1/8" pilot hole in one end panel. Try to locate the joining screws where they will not be visible, above the drawer runner or behind the hinge plate.
2. Use clamps to hold cabinet panel in alignment. Insert the screw through the pilot hole into the second cabinet end panel – Be careful not to countersink the head.



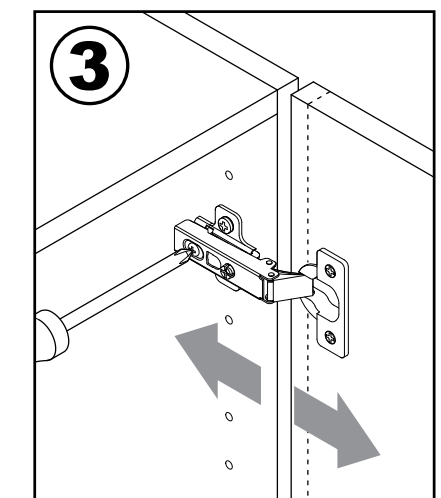
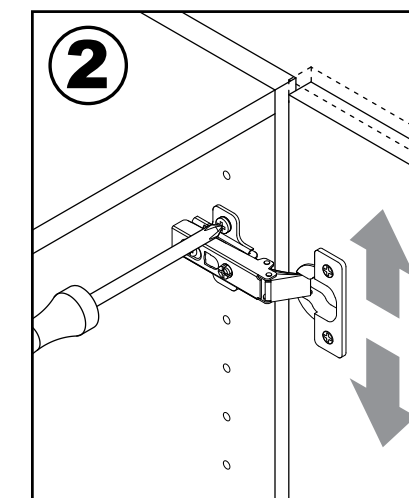
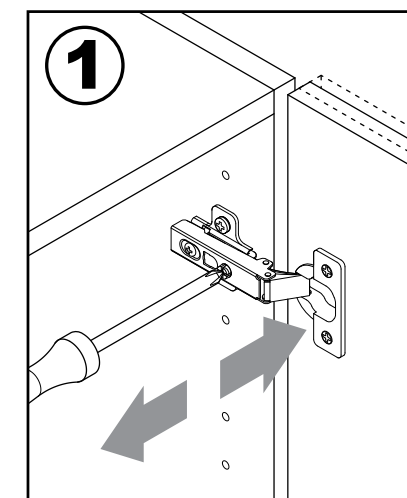
ADJUSTING DOOR ALIGNMENT

DOOR ALIGNMENT

WeatherStrong Cabinets feature a 6-way adjustable hinge that will allow you to adjust and align all the doors after installation

1. The center screw will adjust the door from side to side
2. The top and bottom screws in the hinge plate will allow adjustment up and down
3. The back screw will adjust the door in and out

Please Note: These are soft-close hinges and will close slower at first.



TO REINSTALL THE DRAWERS

1. Extend both drawer runners all the way out of the cabinet box
2. Carefully reengage the metal drawer box profiles on both sides
3. Once both profiles are engaged about 1" carefully push the drawer all the way into the cabinet

INSTALLATION GUIDE

BAR RISER KIT

If your design includes a Bar Riser Kit (BRK), the information below will help you to install it.

We recommend installing the cabinet legs after you have attached the bar riser to the base cabinet.

1. Lay out the cabinets that make up your kitchen and locate where the bar riser kits are going to be placed.

Note: Some BRK's may overlap two cabinets, so follow your floorplan carefully.

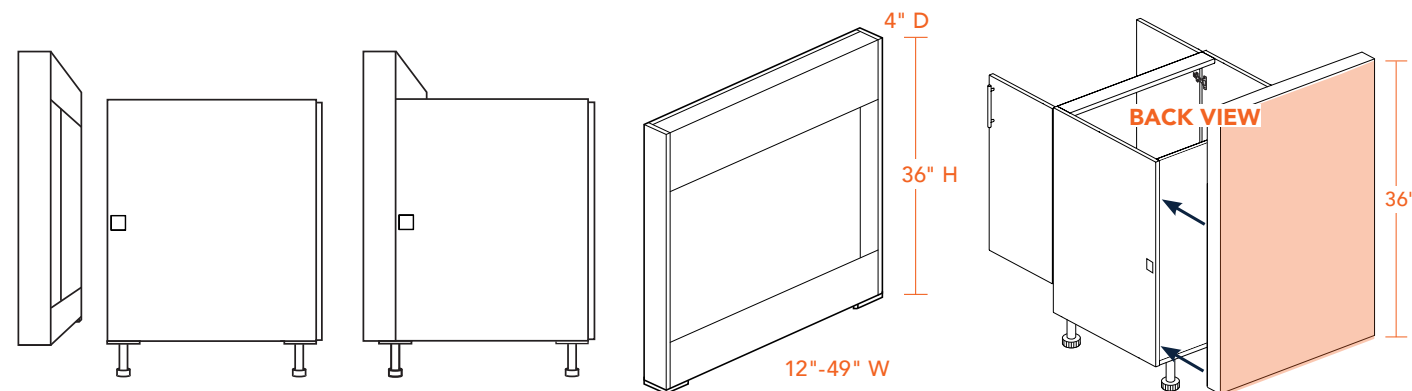
2. Attach the BRK to the base cabinet(s) by lining up the bottom of the bar riser with the bottom of the cabinet.
3. Attach the bar riser using 1-1/4" stainless steel screws (WSSS1.25-ScrewKit) by screwing from the inside of the cabinet through the rear hanging rails.
4. Once the BRK is attached, you can install the adjustable legs and level the cabinet/riser.

BAR RISER KITS

- 3/4" All-Weatherboard™ composite material cabinet construction
- 4" deep by 36" high
- Requires BTP for field installation to match the cabinet doors

Bar Risers are 4" deep by 36" high and are available in 3" width increments from 12" to 48". When securely attached to the back of a 34 1/2" high base cabinet, the top of the riser will be approximately 40 1/2" from the floor. These field installed kits feature a full-height 3/4" thick enclosed All-Weatherboard™ composite material back panel and can only be paired with base cabinets. These kits will turn almost any base cabinet into a two-level bar.

Please Note: Exposed cabinet sides and backs MUST be covered by a matching end/island panel



INSTALLATION GUIDE

GRILL BASES AND SIDE BURNER CABINETS

Grill Bases and Side Burner Cabinets have a few extra steps that make up the proper installation.

First and foremost, if you are installing a drop-in grill or side burner in your cabinets, you **MUST** first install an insulated jacket before inserting the heat admitting appliance. This protects your cabinets from the extreme heat and protects your limited warranty.

Please Note: You must purchase the insulated jacket from the manufacturer of the gas/heat appliance. Please follow the manufacturer's instructions on how to properly support your appliance and insulated jacket inside the cabinet.

CABINET MODIFICATION:

1. Your grill base or side burner cabinet comes with two panels in the upper, apron part of the cabinet. One apron panel is built into the cabinet. The second overlay panel is manufactured from the same material as the cabinet doors. Make sure to not throw this loose piece away!
2. Clamp the decorative overlay panel to the apron panel using C-Clamps. Make sure to line up the top of the overlay panel with the top of the cabinet apron panel.
3. Mark the required cut-out necessary to install the insulated jacket and the gas appliance. Refer to the specification and installation guides supplied by the appliance manufacturer, or use a template if provided. Remember to account for the countertop thickness.
4. Carefully cut out the required space on the cabinet apron and decorative overlay panel.
5. Place the insulated jacket into the cutout to ensure a proper fit.
6. Fabricate a support brace, inside the cabinet, based on the appliance manufacturer's recommendation.
7. We recommend hiring a licensed professional to install the gas appliances and the insulated jacket

GRILL DOUBLE DOOR BASE

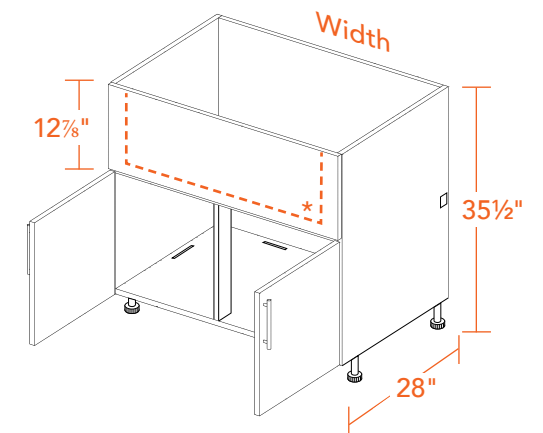
- The face plate is modified in field to accept the respective insulated jacket used with the gas grill
- 3/4" All-Weatherboard™ composite material cabinet construction
- Fully integrated back panel
- Includes 4 'Sure Level' polymer legs, shipped loose for field installation and leveling
- Available in all door styles and finishes
- Separate toe kick with vent included
- Stainless steel handles sold separately

Please Note: All built in grill heads require an insulated jacket. Please consult your grill manufacturer for the appropriate model.

6 ventilation outlets included to allow the release of possible heat or gas build-up.

- 1 in the toe kick panel
- 3 in the base shelf
- 2 in the side of the cabinet

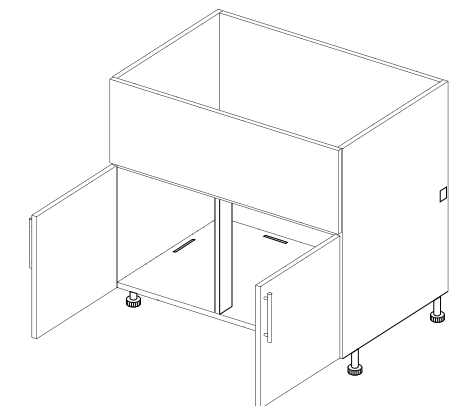
Please Note: Venting will still need to be cut on the job site at the end of a cabinet run containing a heat component. This will need to be cut into the decorative end panel.



PROPER VENTING:

Proper venting of Grill Bases or Side Burner cabinets is essential.

- Each Side Burner and Grill Base cabinet are already equipped with precut slots in the floor and holes in the sidewalls of the cabinet to vent.
- Vent slots have also been precut in a piece of toe kick to further help with the proper ventilation needed.



Grill Base and Side Burner cabinets will come with precut vent holes in the sidewalls and precut slots in the cabinet. There will also be precut slots in the toe kick material. This will enable any excess gas to vent from inside the cabinets. If using toe kick with your cabinets to cover the leveling legs, a piece of toe kick with vent slots has been included with your Grill Base or Side Burner cabinet.

INSTALLATION GUIDE

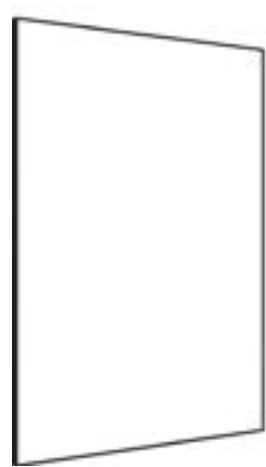
GRILL BASES AND SIDE BURNER CABINETS

IMPORTANT INFORMATION:

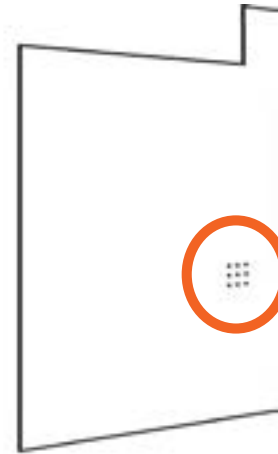
SIDE PANEL VENTING

Venting will still need to be cut at the job site on the end of a cabinet run if that run contains a heat component in that section. This will need to be cut/drilled into the decorative end panel. We have provided a recommended drill options below.

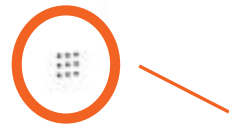
Side Burner base cabinets with a width of 15" to 24"



Panel as shipped



Panel after cutting on job site



Recommended drill pattern

include 6 ventilation outlets to allow the release of possible heat or gas buildup.

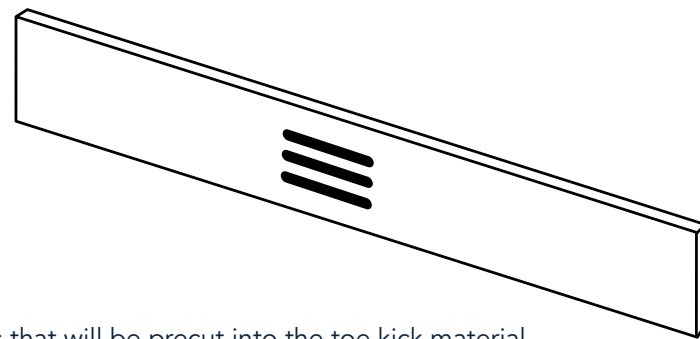
- 1 in the toe kick panel
- 3 in the base shelf
- 2 in the side of the cabinet

Side Burner base cabinets with a width of 30" include 6

ventilation outlets to allow the release of possible heat or gas buildup.

- 1 in the toe kick panel
- 3 in the base shelf
- 2 in the side of the cabinet

Please Note: Insulated jacket must be used with all Side Burner and Grill Cabinets



Please Note: These are the slots that will be precut into the toe kick material

INSTALLATION GUIDE

MATCHING ENDS AND ISLAND BACK PANELS

Matching End Panels and Island Back Panels are used to cover any exposed cabinet sides or backs. These panels are manufactured from the same material as the cabinet doors and drawer fronts.

Matching End Panels are oversized and will not match the exact measurements of your cabinets. This allows them to be trimmed to follow the pitch of the floor of your outdoor space, which is often sloped.

Matching Panels should be trimmed to fit after the cabinets are permanently set and leveled.

PANEL INSTALLATION:

1. Refer to your floorplan or cabinet layout to determine which panels go in which location.
2. Measure each panel location from front to back and top to bottom. Use these measurements to mark your panel.
3. Once the panel is marked, use a table saw or circular saw to trim the panel to size.
4. Use C-clamps or Quick-Grips to hold the panel in place during installation.

- a. Screws (WSSS1.25-Screwkit) or Contractor adhesive can be used to secure the panels to the cabinets.
- b. If using Screws make sure to drill pilot holes into the cabinet before placing the permanent screw.

Please Note: Panels that will cover the side of a cabinet with a Bar Riser Kit attached will need to have the profile of the side of the cabinet combination cut out.



Panel as shipped



Panel after cutting on job site without heat component



Panel after cutting on job site with heat component

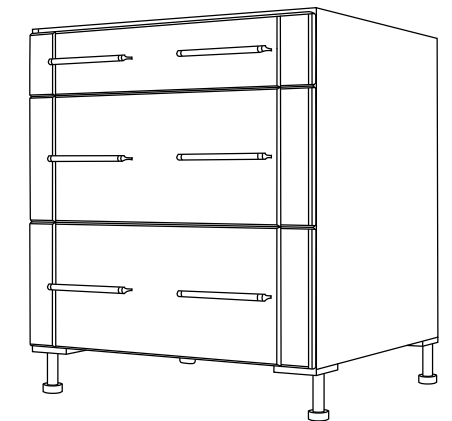
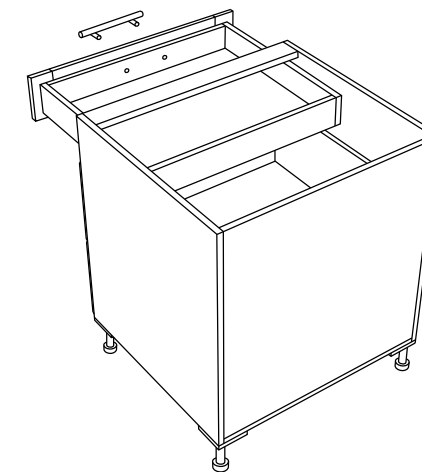
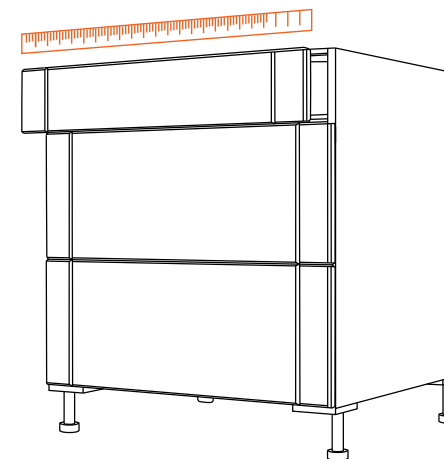
INSTALLING HARDWARE:

Hardware is the final step of your cabinet installation. This is done after the drawers are back in place and the doors have been replaced and adjusted to be square.

Placement of your hardware is per your choice and a template can be purchased from your local hardware store.

INSTALL:

- 1: Mark your doors/drawer fronts with a pencil or small marker where the screw holes will go.
Make sure to carefully measure where these holes will be drilled to ensure proper placement.
- 2: Drill the screw holes using the 3/16 drill bit
- 3: Attach the hardware using the screws provided in the hardware bag, from the inside of the door/drawer out into the piece of hardware.



CARE AND USE GUIDE

AFTER INSTALLATION CARE

After your cabinets have been installed, wipe down all exteriors with a damp cloth to remove dust.

Clean Up: Wash WeatherStrong with water and a soft cloth or sponge. A mild dishwashing liquid can be used if needed. For tougher to clean spots, wash with Simply Green All-Purpose Household Cleaner. A soft bristle brush may be used if needed.

EVERYDAY CARE

Salt Water Environments: Oceanfront environments with salt air and sea spray will require regular maintenance and cleaning to prevent rust from forming on the handles, hinges and drawer runners. Clean stainless steel surfaces several times a month to keep the chemical reaction, from the salt, from gaining a foothold on the hardware. With regular cleaning, your cabinets will look like new for many years. To achieve maximum corrosion and stain resistance, the surface of the stainless steel must be kept clean.

NEVER use abrasive cleaners, scouring pads or powdered cleansers.

HARDWARE CARE

Use mild soap and warm water to clean door, drawer knobs and pulls. Thoroughly dry hardware surfaces after cleaning. **DO NOT** use silver or brass polish.

GRILL & SIDE BURNER CABINET MODIFICATIONS

Grill and side burner cabinets are manufactured with two full upper face plates that will need to be field modified to accept the respective insulated jacket used with the gas grill or side burner.

The second matching panel will be shipped loose for ease of modification and installation. It can be attached with stainless steel screws or a suitable construction grade adhesive. Under no circumstance should a grill or side burner be installed without the appropriate heat liner specified by the manufacturer of the appliance.

HEAT APPLIANCES

Free-standing grills with adequate space from direct heat are recommended or grills with insulated jacket specified by the grill manufacturer can be installed in WeatherStrong cabinets.

Insulated jackets are **required** for heat admitting appliances being installed in WeatherStrong

LIGHT EXPOSURE

Cabinet sides and backs that will be exposed to direct sunlight and other weather elements **MUST** be covered by a matching end panel in coordinating High Density Polyethylene (HDPE). Failure to install these protective panels will void the cabinet warranty.

DRAWER REMOVAL



STEP 1
Fully open drawer and remove contents.



STEP 4
To re-install, align drawer slides and gently push drawer closed. Locking tabs do not need to be pressed.



STEP 2
With drawer fully opened locate slide tab on left side of drawer box and push up to release.



STEP 5
Open and close drawer several times to ensure proper alignment.



STEP 3
Locate slide tab on the right side of drawer box and push down to release.

CARE AND USE GUIDE

ROLL-OUT TRAY RELOCATION/INSTALLATION



In a standard base cabinet there is a location on the inside for the roll-out tray. Indicated by the two sets of pre-drilled holes on the back panel.



STEP 1
Put the roll-out tray at the desired area in the base cabinet and pick the same desired height on the opposite side.



STEP 2
Once the desired area is reached on both sides attach the roll-out tray on the left and right.



STEP 3
Push to lock in place.

STEP 4
Roll-out tray is installed.

DOOR POSITION ADJUSTMENT



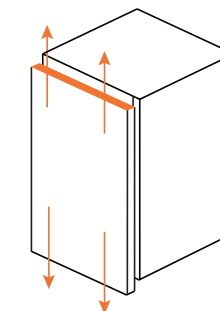
HEIGHT
Loosen two screws and adjust door to desired position. Re-tighten all screws.



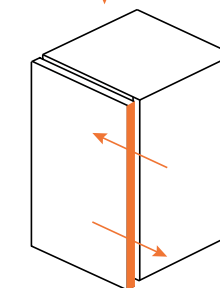
SIDE TO SIDE
Using a Phillips screwdriver, rotate front screw to move the door to the desired position.



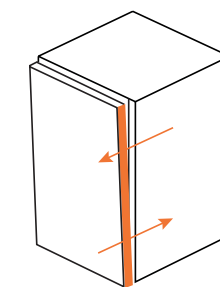
DEPTH
Using a Phillips screwdriver, rotate back screw to move the door to the desired position.



HEIGHT
For vertical door adjustment loosen center screw on each hinge. Set door at desired height. Re-tighten each screw.



SIDE TO SIDE
Rotate front screw for horizontal door adjustment



DEPTH
Rotate back screw for front to back door adjustment

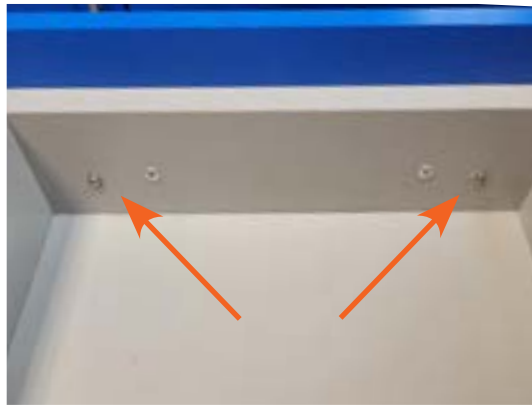
SHELF PINS

Cabinet shelves feature locking shelf pins. To release, simply push in the tab and lift the shelf.



DRAWER FRONT ADJUSTMENT

If additional adjustment is required, loosen screws and twist drawer front for proper alignment. Tighten screws securely.



Limited Warranty

Ideal Cabinetry® (warrantor) warrants to the original consumer purchaser, that the WeatherStrong® branded outdoor cabinets will be free from defects in material and workmanship under normal residential use. The warranty for the Designer Series is for your lifetime as long as you own the cabinetry, and is not transferable. The warranty for the Standard Series is for a period of five years as long as you own the cabinetry and is not transferable. Both warranties are expressly limited to the cabinet carcass, doors, drawers, and shelves. Proof of purchase is required. Items not listed in this warranty are not covered by this warranty. No other warranty express or implied, is applicable to this product. Separate components not produced by Ideal Cabinetry such as countertops, grills, appliances, stainless steel handles, hinges and drawer glides are not covered by this warranty.

This warranty does not cover damage resulting from normal wear, natural aging, accident, misuse, excessive heat, or lack of reasonable and necessary maintenance and service; nor does it warranty the improper installation or unauthorized repair, alteration, modification or defects in the product when the product is installed. For Designer Series cabinetry, excessive heat is a surface temp >265°, for Standard Series cabinets, excessive heat is a surface temp >140°. This warranty is limited to the repair or replacement of the defective part at the sole discretion of warrantor.

Although Ideal Cabinetry uses the best available materials and does extensive testing for finish endurance, some fading may occur and is considered normal. For coastal locations, some deterioration is considered normal wear in this environment.

It is our option to provide repair parts or replace with functionally equivalent product. Return of product may be required for replacements. Such repair parts or replacement shall be at warrantor's expense, but customer shall bear all other expenses, including, but not limited to, cost of removal, transportation, re-installation, communication and any special service required by customer such as, overtime labor, etc. Ideal Cabinetry shall not be liable for the loss of use of the product, inconvenience, loss or any other damages, direct or consequential, arising out of the use of or inability to use the product. Due to the nature of the product, replacement product may vary from original purchased product.

In the event of a WeatherStrong brand warranted product performance issue, submit request including proof of purchase documentation, specific description of warranty issue (include photos) in writing to:

Warranty Department
210 Century Boulevard
Bartow, FL 33830

Ideal Cabinetry reserves the right to alter design, specifications and material without obligation to make changes to product previously manufactured.

EXCEPT TO THE EXTENT PROVIDED BY APPLICABLE LAW, ALL IMPLIED WARRANTIES, INCLUDING WARRANTIES OF MERCHANTABILITY AND FITNESS FOR A PARTICULAR PURPOSE, ARE LIMITED IN DURATION TO THE SHORTER OF THE PERIOD PROVIDED BY LAW OR THE PERIOD OF THIS WARRANTY, AND UNDER NO CIRCUMSTANCE SHALL IDEAL CABINETRY BE LIABLE FOR INCIDENTAL OR CONSEQUENTIAL DAMAGES SUSTAINED IN CONNECTION WITH THE PRODUCT. THE EXPRESS WARRANTY ABOVE CONSTITUTES THE ENTIRE WARRANTY AND IS IN LIEU OF ALL OTHERS EXPRESSED OR IMPLIED.

Some states do not allow the exclusion or limitation of incidental or consequential damages, or limitation on how long an implied warranty lasts, therefore, the above limitations or exclusions may not apply to you. This warranty gives you specific legal rights, and you may also have other rights, which vary from state to state.

INDEMNITY

Ideal Cabinetry shall not be liable for either its failure to perform or its delays in performance hereunder arising out of or resulting from causes beyond its control, including but not limited to, acts of God, acts of Representation, acts of Government, wars, fires, floods, epidemics, quarantine, strike, freight embargoes, weather, or default by suppliers due to any such causes.

NOTES

Lined area for notes on page 58.

NOTES

Lined area for notes on page 59.




weatherstrong[®]
Outdoor Cabinetry

weatherstrong.com

888-745-0004

